



**BEFORE INSTALLATION: CHECK ALL PARTS OF PRODUCT THOROUGHLY. INSTALLATION IS ACCEPTANCE OF GOODS AND WILL VOID WARRANTY.**

## KOKO

### Wall-Hung Toilet Suites

K2376

**Gloss White** · K2376W-PS

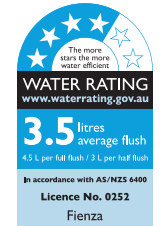
**Matte White** · K2376MW-PS

**Matte Black** · K2376MB-PS

- Rimless, hygienic flushing
- Hidden fittings - no lateral holes
- Concealed pan for easy cleaning
- UF quick release soft close seat
- High quality flushing mechanism
- Stainless steel seat hinges
- Available as P-Trap only
- **WELS 4 Star rated, 4.5L/3L (3.5L average flush) when used with R&T cistern**



Gloss White



Matte White



Matte Black

### INSTALLATION NOTES

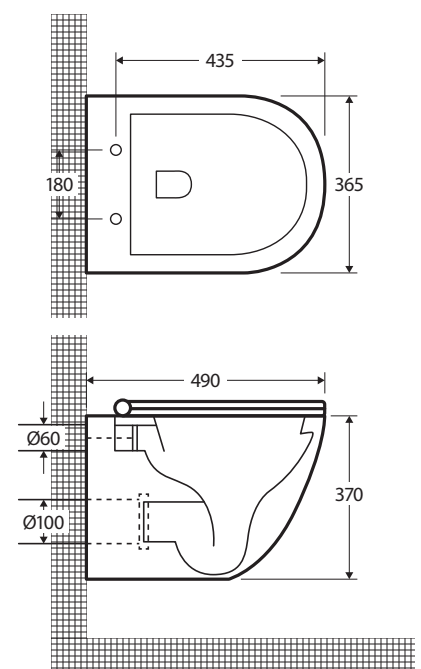
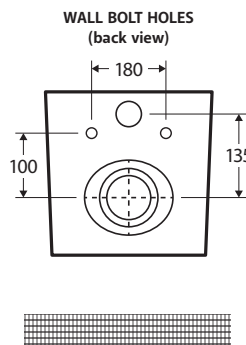
Please consult the installation instructions supplied with your chosen in-wall cistern to install this toilet suite.

The technical drawing opposite provides relevant dimensions for installation.

**IMPORTANT:**

When marking inlet positions, please note that dimensions provided are from finished floor and wall levels (e.g. finished tile surfaces).

**Please turn to next page for wall mounting instructions.**



## WALL MOUNTING INSTRUCTIONS

### COMPONENTS

1 x Hex Key



2 x Mounting Rods

2 x Plastic Pipes

2 x Screw Fittings

### PRE-FITTED COMPONENTS

1 x Plug Screw Key



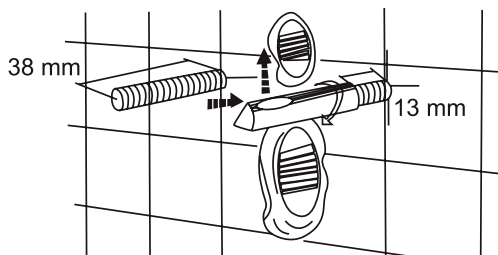
2 x Mounting Plugs

2 x Mounting Plug Screws

2 x Washers

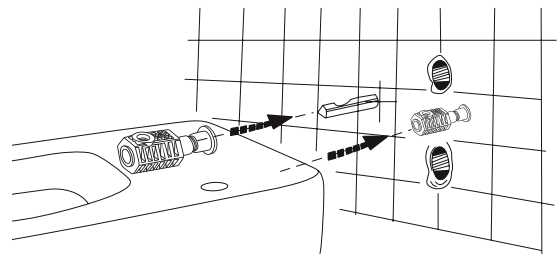
1

Screw the mounting rod onto the fixing screw protruding from the wall. Ensure that the notches in the rods are facing up.



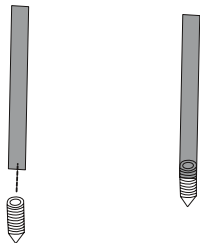
2

Move the pan into place sliding it over the mounting rod and flush with the wall. The plugs come pre-fitted to the pan.



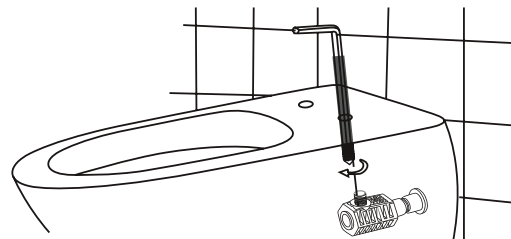
3

Place the plastic pipes over the two screw fittings.



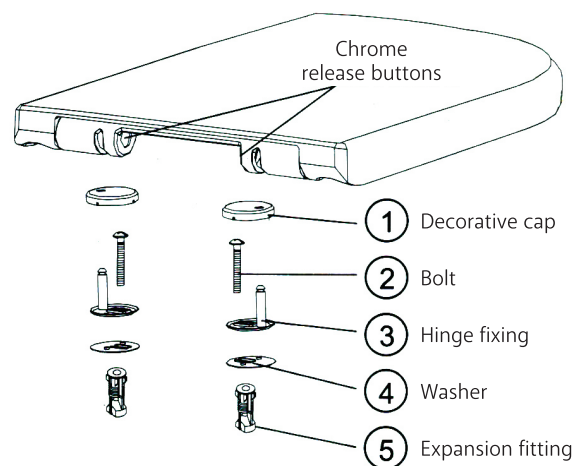
4

Insert the hex key into the other end of the plastic pipe and screw the fitting into place as shown above. Remove the plastic pipe and hex key.



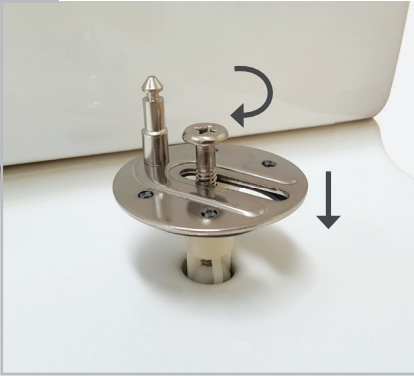
## STANDARD SEAT INSTALLATION

1. Open the box and check all the components.
2. Insert the expansion fittings (5) into the seat bolt holes in the WC.
3. Assemble washers (4), hinge fixings (3) and bolts (2) as shown in the diagram. Leave loosely attached.
4. Align the hinge housing of the seat with the hinge fixings and adjust the seat to desired position.
5. Remove the seat by depressing the chrome release buttons and lifting upwards.
6. Tighten the bolts with a Phillips head screwdriver ensuring that the expansion fittings are secure. Put the decorative cap in the position then attach the seat on the hinges.



## SLIM SEAT INSTALLATION

**1** Insert the hinge set into the holes on the pan.



**2** Line up the fixings to the slots on the seat and click seat into place.



**3** Adjust the position of the seat to suit the pan.



**4** Push the quick release button and lift the seat straight up to remove.



**5** Tighten the screws.



**6** Fix the hinge covers over the hinges.



**7** Replace the seat.



## WARRANTIES

At Fienza we pride ourselves on supplying products of a high standard. Our warranty periods are extremely competitive and practically designed to give the end user peace of mind.

### Warranties for Domestic Use

The extended warranties below apply to domestic uses and applications of Fienza® products, such as private dwellings and retirement villages.

TOILET SUITES	1 YEAR Labour for product fault. Does not include warped / faulty / damaged products that have already been installed.
Ceramics	5 YEARS replacement parts or product
Seat and Hinges	1 YEAR replacement parts or product
Parts subject to wear and tear ie. seals and rubbers are not covered by Warranty	

### Warranties for Commercial Use

The extended warranties below apply to commercial uses and applications of Fienza® products, including, but not limited to: commercial food premises such as restaurants; commercial accommodation such as hotels; hospitals and healthcare facilities; public amenities; and industrial, laboratory and manufacturing facilities.

TOILET SUITES	1 YEAR Labour for product fault. Does not include warped / faulty / damaged products that have already been installed.
Ceramics	3 YEARS replacement parts or product
Seat and Hinges	1 YEAR replacement parts or product
Parts subject to wear and tear ie. seals and rubbers are not covered by Warranty	

For warranty support, please contact Fienza:

ABN 76 136 411 311  
 2-4 Bailey Court,  
 BRENDALE QLD 4500  
 Phone: (07) 3490 6700  
 Email: help@fienza.com.au

### Warranty Conditions

- Installation has been carried out by a licensed plumber in accordance with the plumbing code of Australia.
- All maintenance and adjustments to the product after the installation have been carried out by a licensed plumber.
- No additives have been introduced into the cistern tank.
- Only mild household detergents and soft (non-abrasive) cloth has been used to clean the product.
- All goods of substandard quality manufacture (excluding imperfections permitted within AS1976 - Vitreous China used in Sanitary Applications) will be credited or replaced by Fienza when advised within the warranty period, subject to prior inspection and agreement.
- Proof of purchase is required for warranty claims.

### Warranty Limitations

To the extent permitted under the Trade Practices Act and other relevant legislation, Fienza's liability is limited to:

- The cost of replacing the goods, or
- The cost of obtaining equivalent goods, or
- The cost of having the goods repaired
- Fienza is not responsible for any lack of operation or performance of goods (or any loss or damage) where goods are used or adapted for a with other goods not supplied by Fienza.
- It is the responsibility of the customer and installer before installation to ensure are correct and free of obvious visible faults.
- Fienza is not responsible for the labour and rectification costs incurred in the above circumstance.

### Conditions for On-Site Warranty Service Calls

Fienza will charge a service fee for each visit to an installation by its technician where it is determined that the fault is due to poorly executed or unlicensed installation work or where the product is not a genuine Fienza product or where the product is outside the warranty period. This may be paid in advance by credit card over the phone to a Fienza technician attending the site and will be refunded if the Fienza product is found to be at fault.

### Cleaning & Operation

- The toilet seat may be removed for cleaning - depress the chrome hinge release buttons and lift up.
- Clean only with a soft cloth or sponge using warm water and mild soap or detergent. Do not use any abrasive cleaning materials.
- Do not use any solvents or corrosive liquids.
- Note that use of clip-on deodorisers will affect flushing performance on rimless suites.