

SAN DIEGO

Made in Australia

INSET BATH/SPA BATH WITH TILE BEAD - Premium Sanitary Grade Acrylic, High Gloss White

The San Diego's slight curvature in the lumbar areas cradle the shoulders & extra depth, allows for full immersion. The generous length & centre waste allows for dual bathing. This bath is suitable for wall or island installation. *Centre waste position.*

- Molded arm rests
- Lumbar support
- Suitable for dual bathing
- Slip resistant pattern



SAN DIEGO BATH

SIZE (l) x (w) x (d) mm	CAPACITY*	NET WEIGHT	CODE
1790 x 820 x 480	194L	26kg	SD1790W



- 15 YR WARRANTY*
- AS/NZ Standard 2023/1995
- Steel rod reinforced rim
- Double reinforced bath base



SAN DIEGO SANTAI SPA BATH ● 12 JETS

SIZE (l) x (w) x (d) mm	CAPACITY*	NET WEIGHT	CODE
1790 x 820 x 480	194L	46kg	SD1790SAN12JW

- 10 YR WARRANTY* - SPA SHELL
- 5 YR WARRANTY* - PUMP, JETS & FITTINGS
- AS/NZ Standard AS3861/1991
- Steel rod reinforced rim
- Double reinforced bath base
- 6 x low profile Mod centro jets
- 6 x low profile Mod mini jets
- 1 x low profile Mod suction
- 1 x Mod power button (rim mounted)
- 2 x Mod air controls (rim mounted)
- 750 watt auto heat boost pump



SAN DIEGO CONTOUR SPA BATH ●● 14 JETS

SIZE (l) x (w) x (d) mm	CAPACITY*	NET WEIGHT	CODE
1790 x 820 x 480	194L	46kg	SD1790CNSPAWC

- 10 YR WARRANTY* - SPA SHELL
- 5 YR WARRANTY* - PUMP, JETS & FITTINGS
- AS/NZ Standard AS3861/1991
- Steel rod reinforced rim
- Double reinforced bath base
- 6 x flush C-Lenda™ centro jets
- 8 x flush C-Lenda™ mini jets
- 2 x flush C-Lenda™ air controls
- 1 x flush C-Lenda™ suction
- 1 x Sensa-Touch pad control (rim mounted)
- 750 watt 3-stage heat boost pump



SAN DIEGO DOLCE VITA SPA BATH ●●● 18 JETS

SIZE (l) x (w) x (d) mm	CAPACITY*	NET WEIGHT	CODE
1790 x 820 x 480	194L	76kg	SD1790DVSPAWC

- 10 YR WARRANTY* - SPA SHELL
- 5 YR WARRANTY* - PUMP, JETS & FITTINGS
- AS/NZ Standard AS3861/1991
- Steel rod reinforced rim
- Double reinforced bath base
- 6 x adjustable flush C-Lenda™ centro jets
- 12 x adjustable flush C-Lenda™ mini jets
- 2 x flush C-Lenda™ air controls
- 1 x flush C-Lenda™ suction
- Spa Key remote control
- 1100 watt spa key heat boost pump

Available with Chrome, White or Black jets

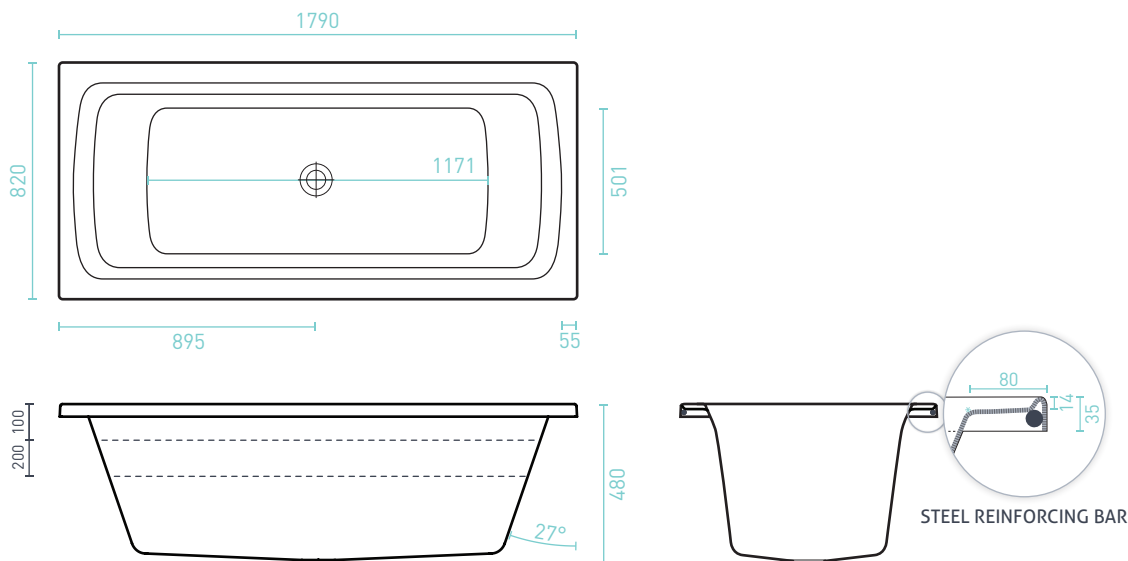


SAN DIEGO ACCESSORIES	BATH	SANTAI SPA BATH	CONTOUR SPA BATH	DOLCE VITA SPA BATH
EZI Frame/Base Support Frame	Optional	Optional	Optional	✓
FIORE Headrests (Black/White)	Optional	Optional	✓ x 2	✓ x 2
Overflow	Optional	Optional	Optional	Optional
Plug & Waste	Optional	Optional	Optional	Optional

*Capacity 200mm below the bath rim

SAN DIEGO

INSET BATH/SPA BATH WITH TILE BEAD - Premium Sanitary Grade Acrylic, High Gloss White



SPA BATH ORDER FORM

Spa baths are made to order on receipt of the order form & are non-refundable. Please allow 15 working days for completion & dispatch. We recommend filling out your SPA BATH ORDER FORM with your qualified spa bath installer.

COMPANY & BRANCH: _____ PHONE NO: _____

CONTACT: _____ ORDER NO: _____ DATE: _____

MODEL: _____ SIZE: _____ QTY: _____ RANGE SANTAI CONTOUR DOLCE VITA

SANTAI SPA BATH OPTIONS

PUMP UPGRADE Manual Xtra-Heat Boost Pump (RRP \$215)

PUMP UPGRADE Sensa-Touch Pad Control 3-Stage Heat (RRP \$425)

EZI FRAME (RRP from \$115) Supplied Factory Fitted (Additional cost)

BASE SUPPORT FRAME Factory Fitted (RRP \$325)

HEADRESTS (RRP \$99 each) White QTY: _____ Black QTY: _____

OVERFLOW (RRP from \$120)

CONTOUR SPA BATH OPTIONS

EZI FRAME (RRP from \$115) Supplied Factory Fitted (Additional cost)


BASE SUPPORT FRAME Factory Fitted (RRP \$325)

HEADREST COLOUR (NO additional cost) White Black

OVERFLOW (RRP from \$120)

DOLCE VITA SPA BATH OPTIONS

HEADREST COLOUR (NO extra cost) White Black

JET COLOUR (NO extra cost) Chrome White Black 

OVERFLOW (RRP from \$120)

SPA PUMP NOTES

- The spa pump does not fit directly in the baths perimeter (allow 100mm)
- Waste positions can not be changed
- We recommend spa pumps installed outside are fitted with a Spa Pump Cover (RRP \$199)
- The spa pump must be easily accessible for maintenance
- The spa pump controls will always be at the front, unless indicated below

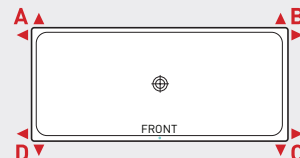
----- Please refer to the technical drawings before choosing your spa pump position, as spa bath waste & pump positions CAN NOT be customised -----

1. CIRCLE YOUR PUMP POSITION A / B / C / D ON THE DIAGRAM

300mm of pipework & 2 elbows are supplied to install the pump in the correct orientation. If extra pipework is required, how much? _____mm (max. recommended distance between the spa bath & pump is 1.2m)

2. CROSS (X) YOUR SHOWER HEAD POSITION ON THE DIAGRAM (if applicable)

Spa pump controls can not be on the same end as the shower.



CUSTOMER NAME: _____ CUSTOMER SIGNATURE: _____

CUSTOMER EMAIL: _____ CUSTOMER PHONE NO: _____

*Whilst every effort is made to adhere to published jet & fittings positions, variation to specifications may occur without notice.