

CARINA

ISLAND BATH/SPA BATH - Premium Sanitary Grade Acrylic, High Gloss White

Made in Australia

The Carina's planes have been angled to maximize bath space, reclining comfort & function. Its island style allows it to be set away from adjoining walls allowing the viewer to truly appreciate its simple elegance. Centre waste position.

Molded arm rests

Lumbar support

Suitable for dual bathing

Slip resistant pattern



CARINA BATH

SIZE (l) x (w) x (d) mm	CAPACITY*	NET WEIGHT	CODE
1525 x 765 x 440	147L	18.5kg	CA1525W
1675 x 765 x 440	166L	20.6kg	CA1675W
1750 x 805 x 480	182L	25kg	CA1750W



- 15 YR WARRANTY*
- AS/NZ Standard 2013/1995
- Steel rod reinforced rim
- Double reinforced bath base



CARINA SANTAI SPA BATH ● 12 JETS

SIZE (l) x (w) x (d) mm	CAPACITY*	NET WEIGHT	CODE
1525 x 765 x 440	147L	34kg	CA1525SAN12JW
1675 x 765 x 440	166L	37kg	CA1675SAN12JW
1750 x 805 x 480	182L	45kg	CA1750SAN12JW

- 10 YR WARRANTY* - SPA SHELL
- 5 YR WARRANTY* - PUMP, JETS & FITTINGS
- AS/NZ Standard AS3861/1991
- Steel rod reinforced rim
- Double reinforced bath base
- 6 x low profile Mod centro jets
- 6 x low profile Mod mini jets
- 1 x low profile Mod suction
- 1 x Mod power button (rim mounted)
- 2 x Mod air controls (rim mounted)
- 750 watt auto heat boost pump



CARINA CONTOUR SPA BATH ●● 14 JETS

SIZE (l) x (w) x (d) mm	CAPACITY*	NET WEIGHT	CODE
1525 x 765 x 440	147L	34kg	CA1525CNSPAWC
1675 x 765 x 440	166L	37kg	CA1675CNSPAWC
1750 x 805 x 480	182L	45kg	CA1750CNSPAWC

- 10 YR WARRANTY* - SPA SHELL
- 5 YR WARRANTY* - PUMP, JETS & FITTINGS
- AS/NZ Standard AS3861/1991
- Steel rod reinforced rim
- Double reinforced bath base
- 6 x flush C-Lenda™ centro jets
- 8 x flush C-Lenda™ mini jets
- 2 x flush C-Lenda™ air controls
- 1 x flush C-Lenda™ suction
- 1 x Sensa-Touch pad control (rim mounted)
- 750 watt 3-stage heat boost pump



CARINA DOLCE VITA SPA BATH ●●● 18 JETS

SIZE (l) x (w) x (d) mm	CAPACITY*	NET WEIGHT	CODE
1675 x 765 x 440	166L	57kg	CA1675DVSPAWC
1750 x 805 x 480	182L	65kg	CA1750DVSPAWC

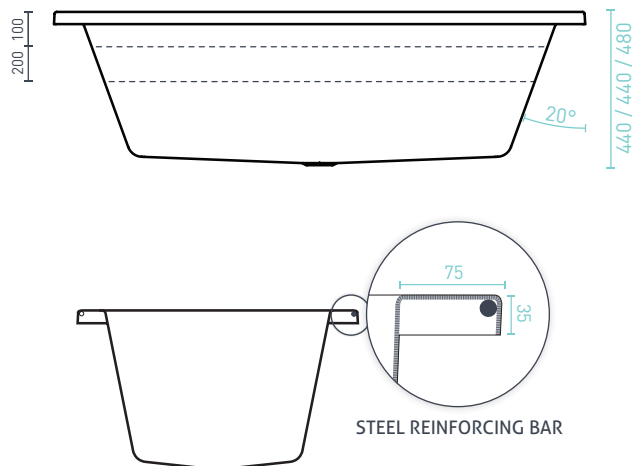
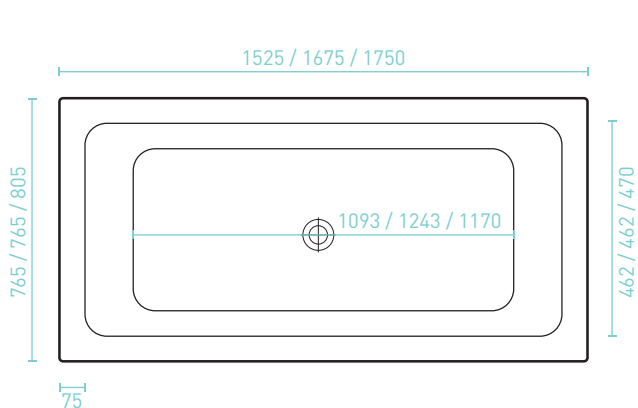
- 10 YR WARRANTY* - SPA SHELL
- 5 YR WARRANTY* - PUMP, JETS & FITTINGS
- AS/NZ Standard AS3861/1991
- Steel rod reinforced rim
- Double reinforced bath base
- 6 x adjustable flush C-Lenda™ centro jets
- 12 x adjustable flush C-Lenda™ mini jets
- 2 x flush C-Lenda™ air controls
- 1 x flush C-Lenda™ suction
- Spa Key remote control
- 1100 watt spa key heat boost pump

Available with Chrome, White or Black jets



CARINA

ISLAND BATH/SPA BATH - Premium Sanitary Grade Acrylic, High Gloss White



CARINA ACCESSORIES	PRODUCT CODE	BATH	SANTAI SPA BATH	CONTOUR SPA BATH	DOLCE VITA SPA BATH
EZI Frame/Base Support Frame	VARIOUS	Optional	Optional	Optional	✓
Overflow	VARIOUS	Optional	Optional	Optional	Optional
FIORE Headrests (Black/White)	SY242-A-B / SY24-W	Optional	Optional	✓ x 2	✓ x 2
Plug & Waste	VARIOUS	Optional	Optional	Optional	Optional

SPA BATH ORDER FORM

Spa baths are made to order on receipt of the order form & are non-refundable. Please allow approximately 15-20 working days for completion & dispatch. We recommend filling out your SPA BATH ORDER FORM with your qualified tradesperson.

COMPANY & BRANCH: _____ PHONE NO: _____

CONTACT: _____ ORDER NO: _____ DATE: _____

MODEL: _____ SIZE: _____ QTY: _____ RANGE SANTAI CONTOUR DOLCE VITA

CONTOUR SPA BATH OPTIONS

Headrest colour (NO additional cost) White Black

DOLCE VITA SPA BATH OPTIONS

Headrest colour (NO additional cost) White Black

Jet colour (NO additional cost) Chrome White Black

SPA PUMP NOTES

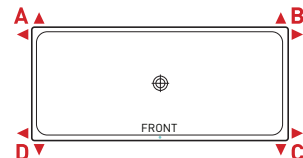
- The spa pump does not fit directly in the baths perimeter (allow 100mm)
- The spa pump must be easily accessible for maintenance
- Waste positions can not be changed
- The spa pump controls will always be at the front, unless indicated below
- We recommend spa pumps installed outside are fitted with a Spa Pump Cover EDG119
- We recommend spa pumps installed inside are fitted with a Drain Tray EDG140

Please refer to the technical drawings before choosing your spa pump position, as spa bath waste & pump positions CANNOT be customised

1. CIRCLE YOUR PUMP POSITION A / B / C / D ON THE DIAGRAM

2. CROSS (X) YOUR SHOWER HEAD POSITION ON THE DIAGRAM (if applicable)

Spa pump controls can not be on the same end as the shower.



CUSTOMER NAME: _____ CUSTOMER SIGNATURE: _____

CUSTOMER EMAIL: _____ CUSTOMER PHONE NO: _____

*Whilst every effort is made to adhere to published jet & fittings positions, variation to specifications may occur without notice.