

DUO

ISLAND BATH/SPA BATH - Premium Sanitary Grade Acrylic, High Gloss White

Made in Australia

The Duo's classic oval design makes it a show stopping addition, perfect for larger bathrooms. Moulded arm rests & back supports, plus large water capacity combine to provide superb comfort for two bathers. *Front waste position.*

- Molded arm rests
- Lumbar support
- Suitable for dual bathing
- Slip resistant pattern



DUO BATH

SIZE (l) x (w) x (d) mm	CAPACITY*	NET WEIGHT	CODE
1850 x 1275 x 485	295L	28kg	DU1850W



- 15 YR WARRANTY*
- AS/NZ Standard 2023/1995
- Double reinforced bath base

DUO SANTAI SPA BATH ● 12 JETS

SIZE (l) x (w) x (d) mm	CAPACITY*	NET WEIGHT	CODE
1850 x 1275 x 485	295L	55kg	DU1850SAN12JW



- 10 YR WARRANTY* - SPA SHELL
- 5 YR WARRANTY* - PUMP, JETS & FITTINGS
- AS/NZ Standard AS3861/1991
- Double reinforced bath base
- 6 x low profile Mod centro jets
- 6 x low profile Mod mini jets
- 1 x low profile Mod suction
- 1 x Mod power button (rim mounted)
- 2 x Mod air controls (rim mounted)
- 750 watt auto heat boost pump

DUO CONTOUR SPA BATH ●● 16 JETS

SIZE (l) x (w) x (d) mm	CAPACITY*	NET WEIGHT	CODE
1850 x 1275 x 485	295L	55kg	DU1850CNPAWC



- 10 YR WARRANTY* - SPA SHELL
- 5 YR WARRANTY* - PUMP, JETS & FITTINGS
- AS/NZ Standard AS3861/1991
- Double reinforced bath base
- 6 x flush C-Lenda™ centro jets
- 8 x flush C-Lenda™ mini jets
- 2 x flush C-Lenda™ air controls
- 1 x flush C-Lenda™ suction
- 1 x Sensa-Touch pad control (rim mounted)
- 750 watt 3-stage heat boost pump

DUO DOLCE VITA SPA BATH ●●● 24 JETS

SIZE (l) x (w) x (d) mm	CAPACITY*	NET WEIGHT	CODE
1850 x 1275 x 485	295L	90kg	DU1850DVPAWC



- 10 YR WARRANTY* - SPA SHELL
- 5 YR WARRANTY* - PUMP, JETS & FITTINGS
- AS/NZ Standard AS3861/1991
- Double reinforced bath base
- 4 x adjustable flush C-Lenda™ centro jets
- 20 x adjustable flush C-Lenda™ mini jets
- 2 x flush C-Lenda™ air controls
- 1 x flush C-Lenda™ suction
- Spa Key remote control
- 1100 watt spa key heat boost pump

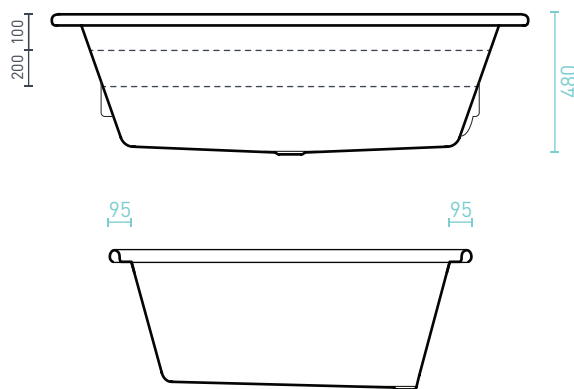
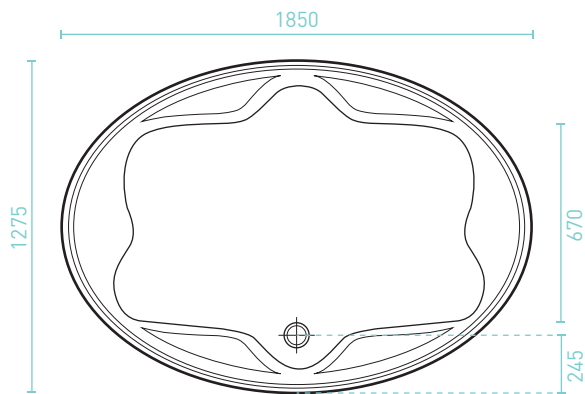
Available with Chrome, White or Black jets



*Capacity 200mm below the bath rim

DUO

ISLAND BATH/SPA BATH - Premium Sanitary Grade Acrylic, High Gloss White



DUO ACCESSORIES	PRODUCT CODE	BATH	SANTAI SPA BATH	CONTOUR SPA BATH	DOLCE VITA SPA BATH
SIA Headrests (Black/White)	SY242-B / SY242-W	Optional	Optional	✓ x 2	✓ x 2
Overflow	VARIOUS	Optional	Optional	Optional	Optional
Plug & Waste	VARIOUS	Optional	Optional	Optional	Optional

SPA BATH ORDER FORM

Spa baths are made to order on receipt of the order form & are non-refundable. Please allow approximately 15-20 working days for completion & dispatch. We recommend filling out your SPA BATH ORDER FORM with your qualified tradesperson.

COMPANY & BRANCH: _____ PHONE NO: _____

CONTACT: _____ ORDER NO: _____ DATE: _____

MODEL: _____ SIZE: _____ QTY: _____ RANGE SANTAI CONTOUR DOLCE VITA

CONTOUR SPA BATH OPTIONS

Headrest colour (NO additional cost) White Black

DOLCE VITA SPA BATH OPTIONS

Headrest colour (NO additional cost) White Black

Jet colour (NO additional cost) Chrome White Black

SPA PUMP NOTES

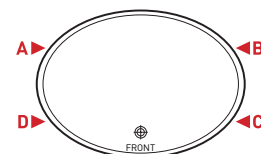
- The spa pump does not fit directly in the baths perimeter (allow 100mm)
- The spa pump must be easily accessible for maintenance
- Waste positions can not be changed
- The spa pump controls will always be at the front, unless indicated below
- We recommend spa pumps installed outside are fitted with a Spa Pump Cover EDG119
- We recommend spa pumps installed inside are fitted with a Drain Tray EDG140

Please refer to the technical drawings before choosing your spa pump position, as spa bath waste & pump positions CANNOT be customised

1. CIRCLE YOUR PUMP POSITION A / B / C / D ON THE DIAGRAM

2. CROSS (X) YOUR SHOWER HEAD POSITION ON THE DIAGRAM (if applicable)

Spa pump controls can not be on the same end as the shower.



CUSTOMER NAME: _____ CUSTOMER SIGNATURE: _____

CUSTOMER EMAIL: _____ CUSTOMER PHONE NO: _____

*Whilst every effort is made to adhere to published jet & fittings positions, variation to specifications may occur without notice.