

MODENA

Made in Australia

INSET BATH/SPA BATH WITH TILE BEAD - Premium Sanitary Grade Acrylic, High Gloss White

The Modena's increased width & depth makes it larger than many traditional shower baths. Additionally this bath has a slip resistant pattern that provides greater safety when entering & exiting the bath. *End waste position.*

☑ Molded arm rests

☑ Lumbar support

☑ Suitable for dual bathing

☑ Slip resistant pattern



MODENA BATH

SIZE (l) x (w) x (d) mm	CAPACITY*	NET WEIGHT	CODE
1210 x 815 x 425	76L	15.1kg	MO1210W
1515 x 815 x 445	124L	19.3kg	MO1510W
1635 x 815 x 510	159L	22.6kg	MO1650W
1785 x 815 x 510	194L	25kg	MO1800W



- **15 YR WARRANTY***
- AS/NZ Standard 2023/1995
- Steel rod reinforced rim
- Double reinforced bath base



MODENA SANTAI SPA BATH ● 10 JETS

SIZE (l) x (w) x (d) mm	CAPACITY*	NET WEIGHT	CODE
1515 x 815 x 445	124L	34.3kg	MO1510SAN10JW
1635 x 815 x 510	159L	37.6kg	MO1650SAN10JW
1785 x 815 x 510	194L	45kg	MO1800SAN10JW

- **10 YR WARRANTY*** - SPA SHELL
- **5 YR WARRANTY*** - PUMP, JETS & FITTINGS
- AS/NZ Standard AS3861/1991
- Steel rod reinforced rim
- Double reinforced bath base
- 6 x low profile Mod centro jets
- 4 x low profile Mod mini jets
- 1 x low profile Mod suction
- 1 x Mod power button (rim mounted)
- 2 x Mod air controls (rim mounted)
- 750 watt auto heat boost pump



MODENA CONTOUR SPA BATH ●● 12 JETS

SIZE (l) x (w) x (d) mm	CAPACITY*	NET WEIGHT	CODE
1515 x 815 x 445	124L	34.3kg	MO1510CNSPAWC
1635 x 815 x 510	159L	37.6kg	MO1650CNSPAWC
1785 x 815 x 510	194L	45kg	MO1800CNSPAWC

- **10 YR WARRANTY*** - SPA SHELL
- **5 YR WARRANTY*** - PUMP, JETS & FITTINGS
- AS/NZ Standard AS3861/1991
- Steel rod reinforced rim
- Double reinforced bath base
- 6 x flush C-Lenda™ centro jets
- 6 x flush C-Lenda™ mini jets
- 2 x flush C-Lenda™ air controls
- 1 x flush C-Lenda™ suction
- 1 x Sensa-Touch pad control (rim mounted)
- 750 watt 3-stage heat boost pump



MODENA DOLCE VITA SPA BATH ●●● 16 JETS

SIZE (l) x (w) x (d) mm	CAPACITY*	NET WEIGHT	CODE
1635 x 815 x 510	159L	68kg	MO1650DVSPAWC
1785 x 815 x 510	194L	75kg	MO1800DVSPAWC

- **10 YR WARRANTY*** - SPA SHELL
- **5 YR WARRANTY*** - PUMP, JETS & FITTINGS
- AS/NZ Standard AS3861/1991
- Steel rod reinforced rim
- Double reinforced bath base
- 6 x adjustable flush C-Lenda™ centro jets
- 10 x adjustable flush C-Lenda™ mini jets
- 2 x flush C-Lenda™ air controls
- 1 x flush C-Lenda™ suction
- Spa Key remote control
- 1100 watt spa key heat boost pump

Available with Chrome, White or Black jets

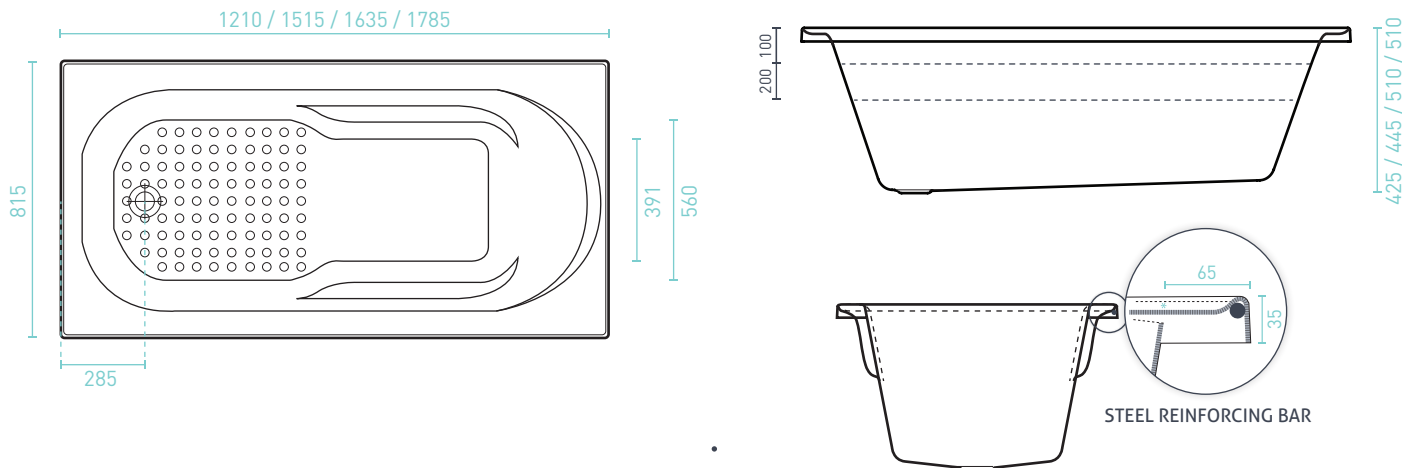


*Capacity 200mm below the bath rim



MODENA

INSET BATH/SPA BATH WITH TILE BEAD - Premium Sanitary Grade Acrylic, High Gloss White



MODENA ACCESSORIES	PRODUCT CODE	BATH	SANTAI SPA BATH	CONTOUR SPA BATH	DOLCE VITA SPA BATH
EZI Frame/Base Support Frame	VARIOUS	Optional (N/A 1205mm)	Optional	Optional	✓
SIA Headrest (Black/White)	SY242-B / SY242-W	Optional	Optional	✓ x 1	✓ x 1
Overflow	VARIOUS	Optional	Optional	Optional	Optional
Plug & Waste	VARIOUS	Optional	Optional	Optional	Optional

SPA BATH ORDER FORM

Spa baths are made to order on receipt of the order form & are non-refundable. Please allow approximately 15-20 working days for completion & dispatch. We recommend filling out your SPA BATH ORDER FORM with your qualified tradesperson.

COMPANY & BRANCH: _____ PHONE NO: _____

CONTACT: _____ ORDER NO: _____ DATE: _____

MODEL: _____ SIZE: _____ QTY: _____ RANGE SANTAI CONTOUR DOLCE VITA

CONTOUR SPA BATH OPTIONS

Headrest colour (NO additional cost) White Black

DOLCE VITA SPA BATH OPTIONS

Headrest colour (NO additional cost) White Black

Jet colour (NO additional cost) Chrome White Black

SPA PUMP NOTES

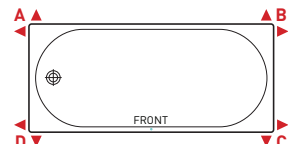
- The spa pump does not fit directly in the baths perimeter (allow 100mm)
- The spa pump must be easily accessible for maintenance
- Waste positions can not be changed
- The spa pump controls will always be at the front, unless indicated below
- We recommend spa pumps installed outside are fitted with a Spa Pump Cover EDG119
- We recommend spa pumps installed inside are fitted with a Drain Tray EDG140

Please refer to the technical drawings before choosing your spa pump position, as spa bath waste & pump positions CANNOT be customised

1. CIRCLE YOUR PUMP POSITION A / B / C / D ON THE DIAGRAM

2. CROSS (X) YOUR SHOWER HEAD POSITION ON THE DIAGRAM (if applicable)

Spa pump controls can not be on the same end as the shower.



CUSTOMER NAME: _____ CUSTOMER SIGNATURE: _____

CUSTOMER EMAIL: _____ CUSTOMER PHONE NO: _____

*Whilst every effort is made to adhere to published jet & fittings positions, variation to specifications may occur without notice.