

## NOVARA

INSET BATH/SPA BATH WITH TILE BEAD (1525 & 1665) | ISLAND BATH (1653) - Premium Sanitary Grade Acrylic, High Gloss White

Novara's soft internal lines & generous lumbar area creates the perfect invitation to relax & rejuvenate. Available as an Inset bath with a tile bead or as an Island bath, it also features self-supporting feet for easy installation. *End waste position.*

Molded arm rests

Lumbar support

Suitable for dual bathing

Slip resistant pattern



### NOVARA BATH

SIZE (l) x (w) x (d) mm	CAPACITY*	NET WEIGHT	CODE
1525 x 735 x 447 (tile bead)	101L	16.5kg	<b>NT1525W</b>
1665 x 735 x 447 (tile bead)	114L	17kg	<b>NT1665W</b>
1653 x 723 x 435	114L	17kg	<b>NO1650W</b>



- **15 YR WARRANTY\***
- AS/NZ Standard 2023/1995
- Steel rod reinforced rim
- Double reinforced bath base



### NOVARA SANTAI SPA BATH 10 JETS

SIZE (l) x (w) x (d) mm	CAPACITY*	NET WEIGHT	CODE
1525 x 735 x 447 (tile bead)	101L	31.5kg	<b>NT1525SAN10JW</b>
1665 x 735 x 447 (tile bead)	114L	34kg	<b>NT1665SAN10JW</b>
1653 x 723 x 435	114L	34kg	<b>NO1650SAN10JW</b>

- **10 YR WARRANTY\*** - SPA SHELL
- **5 YR WARRANTY\*** - PUMP, JETS & FITTINGS
- AS/NZ Standard AS3861/1991
- Steel rod reinforced rim
- Double reinforced bath base
- 6 x low profile Mod centro jets
- 4 x low profile Mod mini jets
- 1 x low profile Mod suction
- 1 x Mod power button (rim mounted)
- 2 x Mod air controls (rim mounted)
- 750 watt auto heat boost pump



### NOVARA CONTOUR SPA BATH 12 JETS

SIZE (l) x (w) x (d) mm	CAPACITY*	NET WEIGHT	CODE
1525 x 735 x 447 (tile bead)	101L	31.5kg	<b>NT1525CNSPAWC</b>
1665 x 735 x 447 (tile bead)	114L	34kg	<b>NT1665CNSPAWC</b>
1653 x 723 x 435	114L	34kg	<b>NO1650CNSPAWC</b>

- **10 YR WARRANTY\*** - SPA SHELL
- **5 YR WARRANTY\*** - PUMP, JETS & FITTINGS
- AS/NZ Standard AS3861/1991
- Steel rod reinforced rim
- Double reinforced bath base
- 6 x flush C-Lenda™ centro jets
- 6 x flush C-Lenda™ mini jets
- 2 x flush C-Lenda™ air controls
- 1 x flush C-Lenda™ suction
- 1 x Sensa-Touch pad control (rim mounted)
- 750 watt 3-stage heat boost pump



### NOVARA DOLCE VITA SPA BATH 16 JETS

SIZE (l) x (w) x (d) mm	CAPACITY*	NET WEIGHT	CODE
1665 x 735 x 447 (tile bead)	114L	54kg	<b>NT1665DVSPAWC</b>
1653 x 723 x 435	114L	54kg	<b>NO1650DVSPAWC</b>

- **10 YR WARRANTY\*** - SPA SHELL
- **5 YR WARRANTY\*** - PUMP, JETS & FITTINGS
- AS/NZ Standard AS3861/1991
- Steel rod reinforced rim
- Double reinforced bath base
- 6 x adjustable flush C-Lenda™ centro jets
- 10 x adjustable flush C-Lenda™ mini jets
- 2 x flush C-Lenda™ air controls
- 1 x flush C-Lenda™ suction
- Spa Key remote control
- 1100 watt spa key heat boost pump

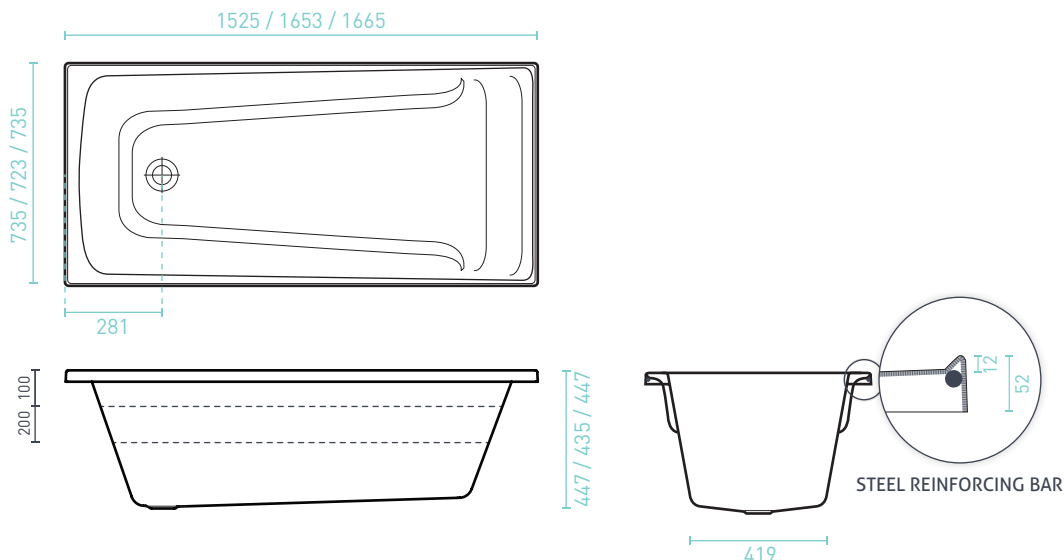
Available with Chrome, White or Black jets



\*Capacity 200mm below the bath rim

# NOVARA

INSET BATH/SPA BATH WITH TILE BEAD (1525 & 1665) | ISLAND BATH (1653) - Premium Sanitary Grade Acrylic, High Gloss White



NOVARA ACCESSORIES	PRODUCT CODE	BATH	SANTAI SPA BATH	CONTOUR SPA BATH	DOLCE VITA SPA BATH
EZI Frame/Base Support Frame	VARIOUS	Optional	Optional	Optional	✓
EZI Feet (1665mm & 1650mm)	EZF005	Optional	Optional	Optional	Optional
FIORE Headrest (Black/White)	SY242-A-B / SY242-A-W	Optional	Optional	✓ x 1	✓ x 1
Overflow	VARIOUS	Optional	Optional	Optional	Optional
Plug & Waste	VARIOUS	Optional	Optional	Optional	Optional

## SPA BATH ORDER FORM

Spa baths are made to order on receipt of the order form & are non-refundable. Please allow approximately 15-20 working days for completion & dispatch. We recommend filling out your SPA BATH ORDER FORM with your qualified tradesperson.

COMPANY & BRANCH: \_\_\_\_\_ PHONE NO: \_\_\_\_\_

CONTACT: \_\_\_\_\_ ORDER NO: \_\_\_\_\_ DATE: \_\_\_\_\_

MODEL: \_\_\_\_\_ SIZE: \_\_\_\_\_ QTY: \_\_\_\_\_ RANGE  SANTAI  CONTOUR  DOLCE VITA

### CONTOUR SPA BATH OPTIONS

Headrest colour (NO additional cost) White  Black

### DOLCE VITA SPA BATH OPTIONS

Headrest colour (NO additional cost) White  Black

Jet colour (NO additional cost) Chrome  White  Black

### SPA PUMP NOTES

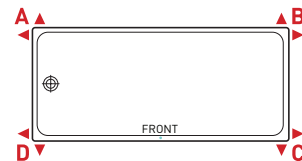
- The spa pump does not fit directly in the baths perimeter (allow 100mm)
- The spa pump must be easily accessible for maintenance
- Waste positions can not be changed
- The spa pump controls will always be at the front, unless indicated below
- We recommend spa pumps installed outside are fitted with a Spa Pump Cover EDG119
- We recommend spa pumps installed inside are fitted with a Drain Tray EDG140

**Please refer to the technical drawings before choosing your spa pump position, as spa bath waste & pump positions CANNOT be customised**

**1. CIRCLE YOUR PUMP POSITION A / B / C / D ON THE DIAGRAM**

**2. CROSS (X) YOUR SHOWER HEAD POSITION ON THE DIAGRAM (if applicable)**

Spa pump controls can not be on the same end as the shower.



CUSTOMER NAME: \_\_\_\_\_ CUSTOMER SIGNATURE: \_\_\_\_\_

CUSTOMER EMAIL: \_\_\_\_\_ CUSTOMER PHONE NO: \_\_\_\_\_

\*Whilst every effort is made to adhere to published jet & fittings positions, variation to specifications may occur without notice.