

## SAN DIEGO

Made in Australia

INSET BATH/SPA BATH WITH TILE BEAD - Premium Sanitary Grade Acrylic, High Gloss White

The San Diego's slight curvature in the lumbar areas cradle the shoulders & extra depth, allows for full immersion. The generous length & centre waste allows for dual bathing. This bath is suitable for wall or island installation. *Centre waste position.*

- Molded arm rests       Lumbar support       Suitable for dual bathing       Slip resistant pattern



### SAN DIEGO BATH

SIZE (l) x (w) x (d) mm	CAPACITY*	NET WEIGHT	CODE
1790 x 820 x 480	194L	26kg	<b>SD1790W</b>



- 15 YR WARRANTY\*
- AS/NZ Standard 2023/1995
- Steel rod reinforced rim
- Double reinforced bath base



### SAN DIEGO SANTAI SPA BATH ● 12 JETS

SIZE (l) x (w) x (d) mm	CAPACITY*	NET WEIGHT	CODE
1790 x 820 x 480	194L	46kg	<b>SD1790SAN12JW</b>

- 10 YR WARRANTY\* - SPA SHELL
- 5 YR WARRANTY\* - PUMP, JETS & FITTINGS
- AS/NZ Standard AS3861/1991
- Steel rod reinforced rim
- Double reinforced bath base
- 6 x low profile Mod centro jets
- 6 x low profile Mod mini jets
- 1 x low profile Mod suction
- 1 x Mod power button (rim mounted)
- 2 x Mod air controls (rim mounted)
- 750 watt auto heat boost pump



### SAN DIEGO CONTOUR SPA BATH ●● 14 JETS

SIZE (l) x (w) x (d) mm	CAPACITY*	NET WEIGHT	CODE
1790 x 820 x 480	194L	46kg	<b>SD1790CNPAWC</b>

- 10 YR WARRANTY\* - SPA SHELL
- 5 YR WARRANTY\* - PUMP, JETS & FITTINGS
- AS/NZ Standard AS3861/1991
- Steel rod reinforced rim
- Double reinforced bath base
- 6 x flush C-Lenda™ centro jets
- 8 x flush C-Lenda™ mini jets
- 2 x flush C-Lenda™ air controls
- 1 x flush C-Lenda™ suction
- 1 x Sensa-Touch pad control (rim mounted)
- 750 watt 3-stage heat boost pump



### SAN DIEGO DOLCE VITA SPA BATH ●●● 18 JETS

SIZE (l) x (w) x (d) mm	CAPACITY*	NET WEIGHT	CODE
1790 x 820 x 480	194L	76kg	<b>SD1790DVSPAWC</b>

- 10 YR WARRANTY\* - SPA SHELL
- 5 YR WARRANTY\* - PUMP, JETS & FITTINGS
- AS/NZ Standard AS3861/1991
- Steel rod reinforced rim
- Double reinforced bath base
- 6 x adjustable flush C-Lenda™ centro jets
- 12 x adjustable flush C-Lenda™ mini jets
- 2 x flush C-Lenda™ air controls
- 1 x flush C-Lenda™ suction
- Spa Key remote control
- 1100 watt spa key heat boost pump

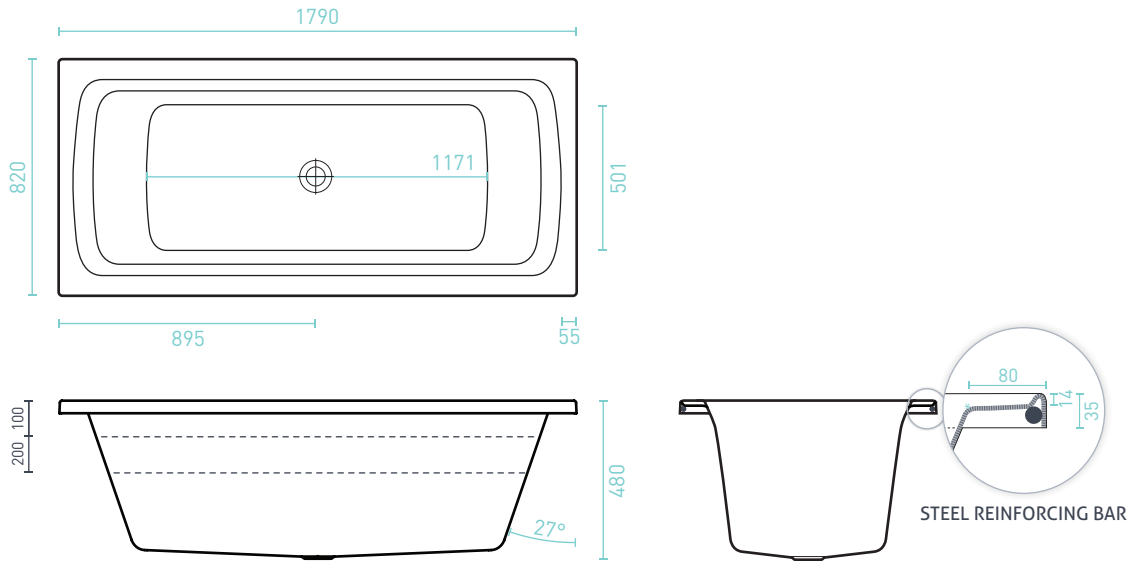
Available with Chrome, White or Black jets



SAN DIEGO ACCESSORIES	BATH	SANTAI SPA BATH	CONTOUR SPA BATH	DOLCE VITA SPA BATH
EZI Frame/Base Support Frame	Optional	Optional	Optional	✓
Fiore Headrests Black/White	Optional	Optional	✓ x 2	✓ x 2
Overflow	Optional	Optional	Optional	Optional
Plug & Waste	Optional	Optional	Optional	Optional

# SAN DIEGO

INSET BATH/SPA BATH WITH TILE BEAD - Premium Sanitary Grade Acrylic, High Gloss White



## SPA BATH ORDER FORM

Spa baths made to order on receipt of order form. Please allow 15 working days for completion & dispatch. We recommend filling out your SPA BATH ORDER FORM with your qualified spa bath installer.

COMPANY & BRANCH: \_\_\_\_\_ PHONE NO: \_\_\_\_\_  
 CONTACT: \_\_\_\_\_ ORDER NO: \_\_\_\_\_ DATE: \_\_\_\_\_

<b>MODEL:</b> _____	<b>SIZE:</b> _____	<b>QTY:</b> _____	<b>RANGE</b> <input type="checkbox"/> SANTAI <input type="checkbox"/> CONTOUR <input type="checkbox"/> DOLCE VITA <input type="checkbox"/>
<b>SANTAI SPA BATH UPGRADE OPTIONS</b>			
<b>PUMP UPGRADE</b> - Manual Xtra-Heat Boost Pump (RRP \$215) <input type="checkbox"/>	<b>PUMP UPGRADE</b> - Sensa-Touch Pad Control 3-Stage Heat (RRP \$425) <input type="checkbox"/>		
<b>EZI FRAME</b> - Supplied <input type="checkbox"/> Factory Fitted <input type="checkbox"/>	<b>BASE SUPPORT FRAME</b> - Factory Fitted <input type="checkbox"/> Overflow <input type="checkbox"/>		
<b>HEADRESTS</b> - White QTY: _____ Black QTY: _____ (RRP \$99 each)			
<b>CONTOUR SPA BATH UPGRADE OPTIONS</b>			
<b>EZI FRAME</b> - Supplied <input type="checkbox"/> Factory Fitted <input type="checkbox"/>	<b>BASE SUPPORT FRAME</b> - Factory Fitted <input type="checkbox"/> Overflow <input type="checkbox"/>		
<b>HEADREST COLOUR</b> - White <input type="checkbox"/> Black <input type="checkbox"/>			
<b>DOLCE VITA SPA BATH OPTIONS</b>			
<b>JET COLOUR</b> - Chrome <input type="checkbox"/> White <input type="checkbox"/> Black <input type="checkbox"/>		<b>HEADREST COLOUR</b> - White <input type="checkbox"/> Black <input type="checkbox"/>	
<b>SPA PUMP NOTES</b>			
1. The Spa Pump does not fit directly underneath the baths perimeter	2. The Spa Pump should be easily accessible for maintenance		
3. Waste positions can not be changed	4. The Spa Pump controls will always be at the front, unless indicated below		
<b>PLEASE INDICATE ON THE DIAGRAMS BELOW:</b> (please refer to the technical drawings before choosing your pump position)			
<b>SHOWER HEAD POSITION</b> (if applicable) The Spa Pump controls CAN NOT be on the same end as the shower head.		<b>SPA PUMP POSITION</b> (300mm of pipework is supplied) The recommended max. distance between the bath & spa pump is 1.2 metres. Is the distance between the bath and the spa pump over 300mm YES <input type="checkbox"/> NO <input type="checkbox"/> If YES how much extra pipework is required _____	

CUSTOMER NAME: \_\_\_\_\_ CUSTOMER SIGNATURE: \_\_\_\_\_  
 CUSTOMER EMAIL: \_\_\_\_\_ CUSTOMER PHONE NO: \_\_\_\_\_

\*Whilst every effort is made to adhere to published jet & fittings positions, variation to specifications may occur without notice.



\*Warranty T&Cs apply, visit [decina.com.au](http://decina.com.au) Decina reserves the right to change specifications without notice. Due to manufacturing tolerances dimensions may vary +/- 5mm. We recommend installation does not start until after delivery. Please confirm all particulars prior to purchase, call 1300 DECINA or visit [decina.com.au](http://decina.com.au)