

Lillian Matte Black TWIN SHOWER

Features

- Electroplated matte black finish
- Integrated top water inlet and diverter
- **WELS 3 Star rated, 9L/min**

Rail:

- Adjustable length between wall fixings
- Slider to adjust height of hand shower
- Made from solid brass
- 1.5 metre matte black PVC flexible hose

LILLIAN Overhead Shower (411138B):

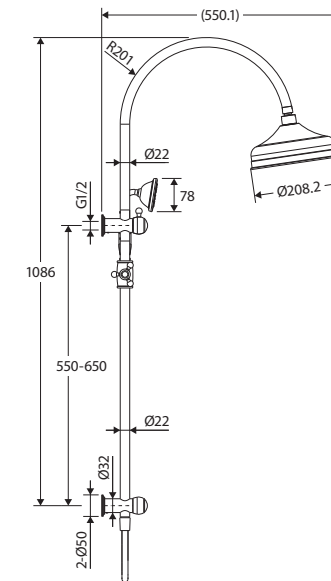
- Rain-style water flow
- Made from stainless steel
- Brass swivel joint
- Female 1/2" BSP inlet

LILLIAN Hand Piece (MSH114B):

- Single water-flow setting
- Made from solid brass



Modern
Vintage
COLLECTION



Available in



Electroplated
Matte Black
455114B

Cleaning & Care

- Regularly clean with mild soapy water using a microfibre cloth.
- In highly polluted or coastal locations, we recommend cleaning 2-3 times per week.
- Do not use harsh detergents, bleach, cream cleaners or citrus based cleaners. These substances are abrasive and will damage the surface.
- Do not use undue pressure and wipe in one direction only.



While we aim to ensure specifications are correct at the time of publication, Fienza reserves the right to make modifications without prior notice. Physical colour may vary from image shown. All measurements are shown in millimetres. Always use physical product measurements for mark-ups and roughing-in as the technical drawing may differ from actual product received.