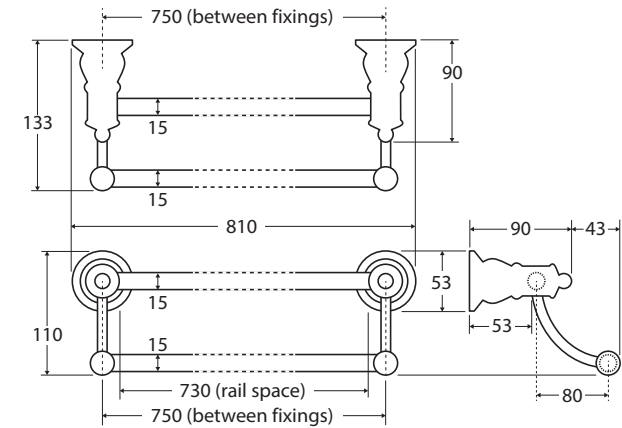
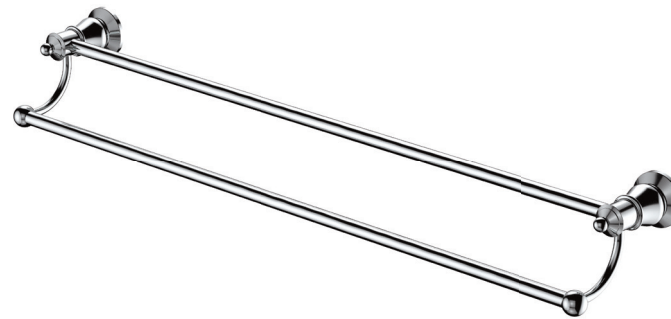


Lillian

DOUBLE TOWEL RAIL

Features

- Removable rails can be cut to desired length
- Unique, no-spin design
- Made from zinc and stainless steel
- High-strength mounting brackets



Available in



Polished
Chrome
81008



PVD
Brushed Nickel
81008BN



Electroplated
Matte Black
81008B



PVD
Urban Brass
81008UB

Cleaning & Care

- Regularly clean with mild soapy water using a microfibre cloth.
- In highly polluted or coastal locations, we recommend cleaning 2-3 times per week.
- Do not use harsh detergents, bleach, cream cleaners or citrus based cleaners. These substances are abrasive and will damage the surface.
- Do not use undue pressure and wipe in one direction only

While we aim to ensure specifications are correct at the time of publication, Fienza reserves the right to make modifications without prior notice. Physical colour may vary from image shown. All measurements are shown in millimetres. Always use physical product measurements for mark-ups and roughing-in as the technical drawing may differ from actual product received.