



PLEASE ENSURE YOU HAVE READ
AND FULLY UNDERSTOOD THIS
GUIDE BEFORE INSTALLATION!

Magnifying Mirrors Installation Guide

YOUR STEP-BY-STEP GUIDE TO THE
PERFECT INSTALLATION

Non-Lit Magnifying Mirrors

ablaze
MIRRORS

Thank you for your purchase

A message from customer care

Thank you for choosing a Thermogroup product. Our commitment to simple, honest, on-time quality service ensures that we are here to help throughout every stage of your project from idea to installation and, most importantly, after sales support.

This instruction manual provides a step-by-step guide to a perfect installation as well as details on the warranty and how to get Technical Support should you need it. To ensure a safe, hassle-free installation please take the time to read this guide in full before you start.

This product is covered by a 1 Year warranty, subject to terms and conditions. Be sure to keep the receipt as proof of purchase, this will be required to validate your warranty.

If you have any questions about your Ablaze Magnifying Mirror or any of our other products call our Technical Support team on 1300 368 631 We will do our best to find a solution and will always give that little bit extra...

Thanks again for choosing Thermogroup products.

Do's & Don'ts

Do's

- ✔ Read and understand this installation guide in full before installation
- ✔ Take note of how to suitably care for and maintain your product

Don'ts

- ✘ Do not commence to complete any maintenance work unless you are fully qualified or have spoken to the supplier



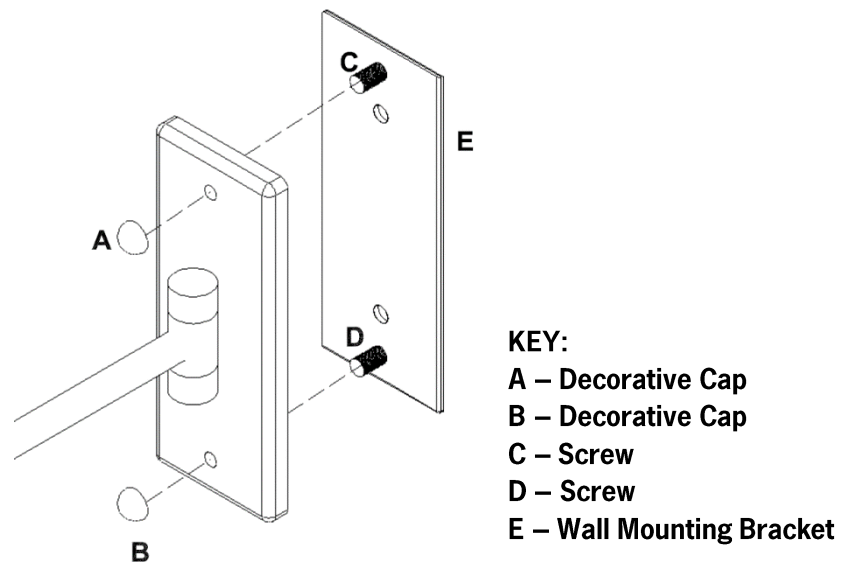
Fixed Arm Magnifying Mirror Install Guide

Follow the Installation Guide below if you have any of the following Models:

- R16SM
- R18SM
- R10SM
- S15SM
- S15SMB
- R16SMB
- R205GSM

Installation:

- Step 1.** Begin by determining the appropriate location and height. We recommend approximately 150cm from the floor if the mirror is to be used while standing, and 120cm from the floor if used while seated.
- Step 2.** Remove the unit from its packaging and lay it carefully on a stable surface on top of the product bag so that it does not get scratched.
- Step 3.** Remove wall mounting bracket E from the shaving mirror by unscrewing the two decorative caps A &-B from the face plate.
- Step 4.** Use the wall mounting bracket as a guide and mark the location of the screw holes for the bracket on the wall.
- Step 5.** **CAUTION:** Check the internal wall location for structural strength. Injury to people or damage to the mirror and/or mounting surface may result if mirror is pulled from the surface. To limit the likelihood of such injury or damage, mount the mirror on a structural wall material that is sound.
- Step 6.** Drill holes in the wall at the marked locations. Insert wall plugs in each hole. Install wall mounting bracket onto the wall using the mounting screws provided.
- Step 7.** Lift the shaving mirror and slide screws C and D back through the face plate and fasten in position with decorative nuts A and B and ensure these are tight.



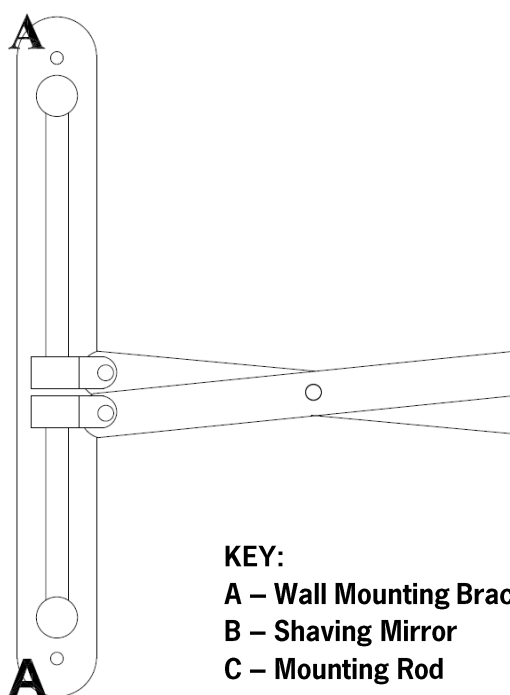
Extendable Arm Magnifying Mirror Install Guide

Follow the Installation Guide below if you have any of the following Models:

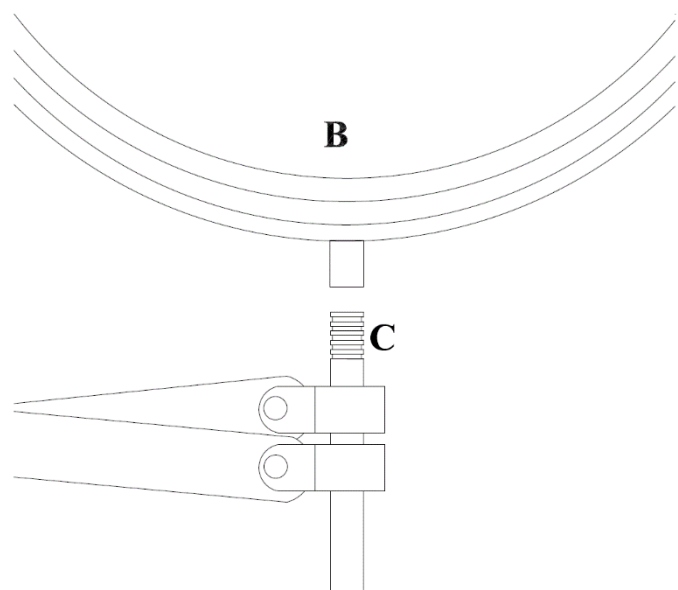
- CR465SM
- RS204GSM

Installation:

- Step 1.** Begin by determining the appropriate location and height. We recommend approximately 150cm from the floor if the mirror is to be used while standing, and 120cm from the floor if used while seated.
- Step 2.** Remove the unit from its packaging and lay it carefully on a stable surface on top of the product bag so that it does not get scratched.
- Step 3.** Using the wall mounting bracket 'A' as a guide and mark the location of the screw holes for the bracket on the wall.
- Step 4. CAUTION:** Check the internal wall location for structural strength. Injury to people or damage to the mirror and/or mounting surface may result if mirror is pulled from the surface. To limit the likelihood of such injury or damage, mount the mirror on a structural wall material that is sound.
- Step 5.** Drill holes in the wall at the marked locations. Insert wall plugs in each hole. Install wall mounting bracket onto the wall using the mounting screws provided.
- Step 6.** Take the shaving mirror part B and screw it onto mounting rod C on the end of the shaving mirror arm and ensure this is tightened firmly.



KEY:
A – Wall Mounting Bracket
B – Shaving Mirror
C – Mounting Rod



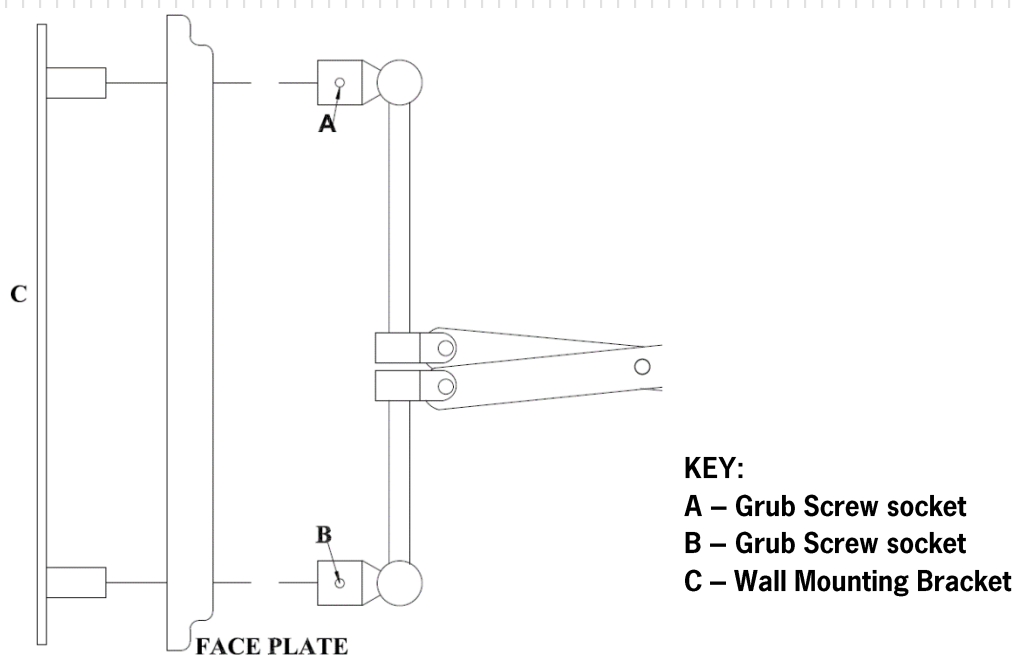
R46SM Magnifying Mirror Install Guide

Follow the Installation Guide below if you have the following Model:

- **R46SM**

Installation:

- Step 1.** Begin by determining the appropriate location and height. We recommend approximately 150cm from the floor if the mirror is to be used while standing, and 120cm from the floor if used while seated.
- Step 2.** Remove the unit from its packaging and lay it carefully on a stable surface on top of the product bag so that it does not get scratched.
- Step 3.** Remove mounting bracket C from the shaving mirror by unscrewing the grub screws from points A & B using the allen key provided. This will allow you to remove the face plate and mounting bracket from the shaving mirror.
- Step 4.** Use the wall mounting bracket C as a guide, mark the location of the screw holes for the bracket on the wall.
- Step 5.** **CAUTION:** Check the internal wall location for structural strength. Injury to people or damage to the mirror and/or mounting surface may result if mirror is pulled from the surface. To limit the likelihood of such injury or damage, mount the mirror on a structural wall material that is sound.
- Step 6.** Drill holes in the wall at the marked locations. Insert wall plugs in each hole. Install wall mounting bracket onto the wall using the mounting screws provided.
- Step 7.** Place the face plate back onto the wall mounting bracket.
- Step 8.** Lift the shaving mirror and slide onto the mounting points.
- Step 9.** Using the allen key tighten the grub screws at point A & B



Warranty

Thermogroup covers all its products with a satisfaction guarantee. In addition, Thermogroup will supply a replacement product where a fault is shown to be caused by manufacture, materials or workmanship providing the goods have been installed correctly and according to installation instructions. This guarantee does not include removal, freight or installation costs. Thermogroup's products come with guarantees that cannot be excluded under Australian Consumer Law and you are entitled to a replacement or refund for a major failure & compensation for any other reasonable foreseeable loss or damage. You are also entitled to have the goods repaired or replaced if the goods fail to be of acceptable quality and the failure does not amount to a major failure.

All of the standard Ablaze Magnifying Mirrors have a 1 Year warranty. To use the warranty, repair or service the customer must provide purchase invoice/receipt, and any other relevant details.

If the product develops a fault within the warranty period due to normal wear and tear, Thermogroup, at its discretion, will recognise whether it's a faulty product or not. If it is impossible or not economical for the manufacturer to repair the product, the manufacturer will replace the faulty product with a new unit of the same model or if there is no stock available of the same model, the manufacturer will replace the product with a new unit of a similar size. No responsibility can be taken for altered dimensions and lining up of existing holes.

The repair service offered within the warranty period only covers the faults and problem as developed from the manufacturer's errors. Any damage caused by improper use or carelessness or incorrect wiring is not covered.

Thermogroup is not responsible for any monetary loss or injuries caused by improper use of this product.

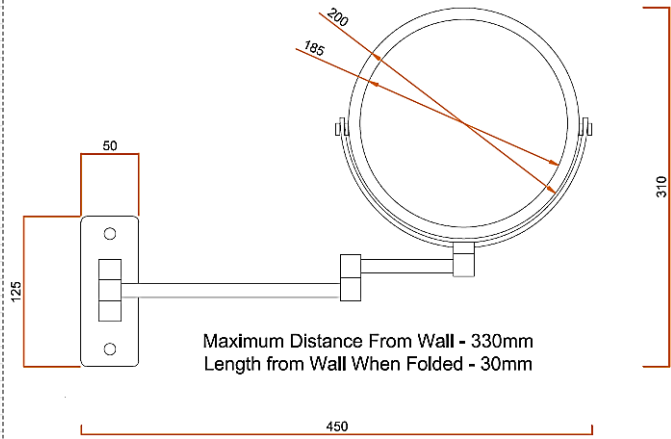
Mirror Care

- ⚠ Clean the mirror with any glass cleaner or soap and water
- ⚠ Do not use any abrasive cleaner on the mirror frame
- ⚠ Do not submerge mirror in water or use excessive of water for cleaning purposes
- ⚠ This appliance is intended for household use
- ⚠ To store the mirror, use original packaging

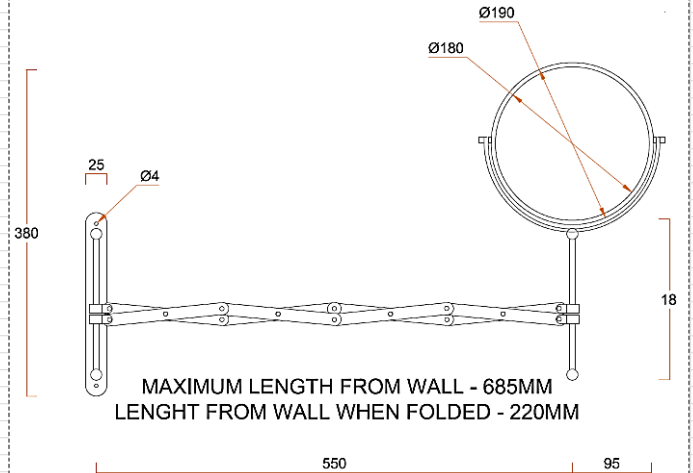


Line Drawings

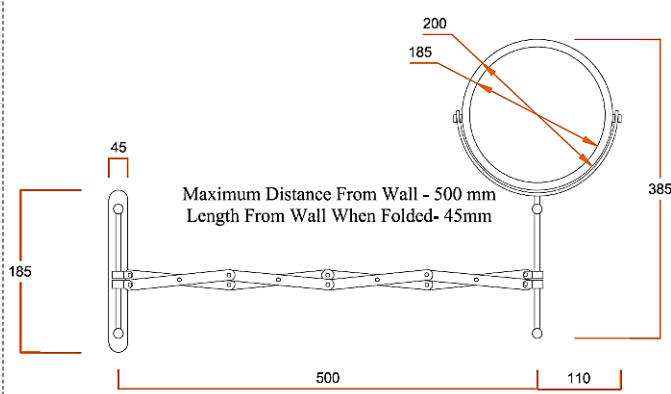
R16SM, R16SMB, R18SM, R10SM, RS205GSM



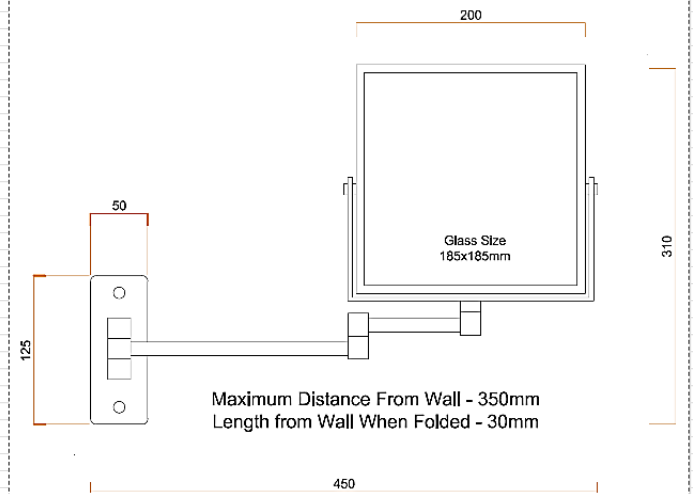
CR465SM, RS204GSM



R46SM



S15SM, S15SMB



Technical Specifications

STOCK NO	DESCRIPTION	SIZE (MM)	ARM LENGTH (MM)
R16SM	Round, Chrome, 1 & 5x Magnification	200 ø	330
R18SM	Round, Chrome, 1 & 8x Magnification	200 ø	330
R10SM	Round, Chrome, 1 & 10x Magnification	200 ø	330
S15SM	Square, Chrome, 1 & 5x Magnification	200x200	330
S15SMB	Square, Matt Black, 1 & 5x Magnification	200x200	330
R16SMB	Round, Matt Black, 1 & 5x Magnification	200 ø	330
R205GSM	Round, Gold, 1 & 5x Magnification	200 ø	330
CR465SM	Round, Chrome, 1 & 3x Magnification	170 ø	570
RS204GSM	Round, Gold, 1 & 4x Magnification	200 ø	500
R46SM	Round, Chrome, 1 & 4x Magnification	200 ø	500

UK Enquiries

Thermogroup UK
sales@thermogroupuk.com
www.thermogroupuk.com
 0800 019 5899

EU Enquiries

Thermogroup EU
sales@thermogroupeu.com
www.thermogroupeu.com
 00353 (0)1 866 0584

AU Enquiries

Thermogroup AU
sales@thermogroup.com.au
www.thermogroup.com.au
 1300 368 631



Thermogroupau



GOOD HEATING PRODUCTS