

Thermorail Ladder Rail

240Volt Heated Towel Rail

Installation Guide

Contents

What's in the box? 3

Concealed Wiring Installation 4

Exposed Wiring Installation 6

Technical Specifications 8

Safety & Care Information 9

Warranty Information 10

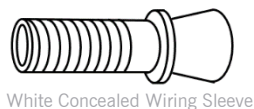
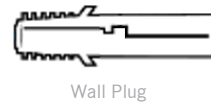
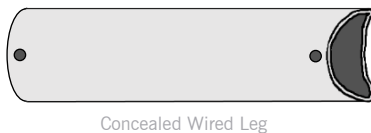
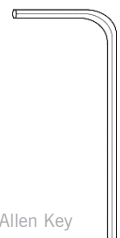
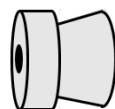
Warranty Registration 11

Contact Us 12

What's in the box?

Check you've got everything:

- Thermorail Ladder Rail
- Thermorail Connection Wire
- Leg Kit including:
 - 2 x Non-Wired Legs
 - 1 x Exposed Wired Leg
 - 2 x Concealed Wired Legs
 - 1 x White Concealed Wiring Sleeve (Supplied inside the leg)
 - 3 x Mounting Brackets (Supplied inside the leg)
 - 1 x Exposed Wiring Mounting Bracket
 - 4 x Wall Plugs
 - 4 x Countersunk Screws
 - 2 x Machine Screws
 - 4 x Small Machine Screws
 - 4 x Grub Screws (Supplied inside the leg)
 - 1 x Allen Key

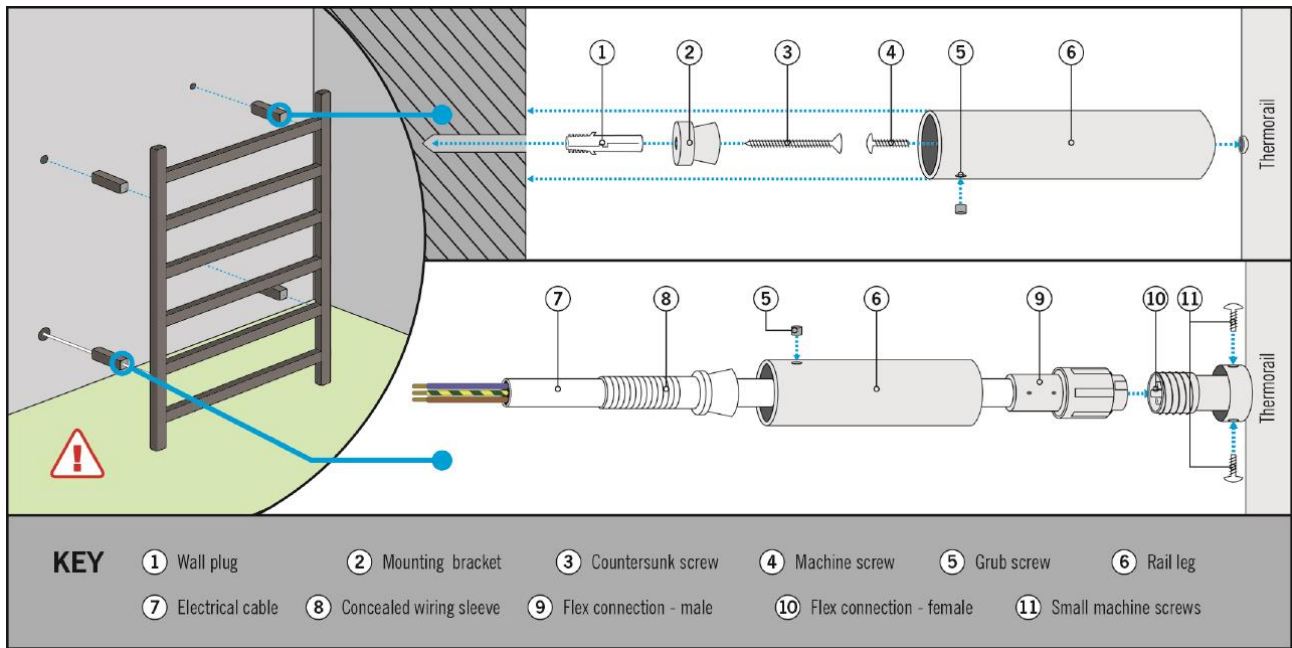


Please note these parts are not to scale

You will also need:

- Cross Head Screwdriver
- Pencil
- Spirit Level
- Tape Measure
- Drill Bits (6mm & 12mm)
- Cordless Drill
- Electrical Supply

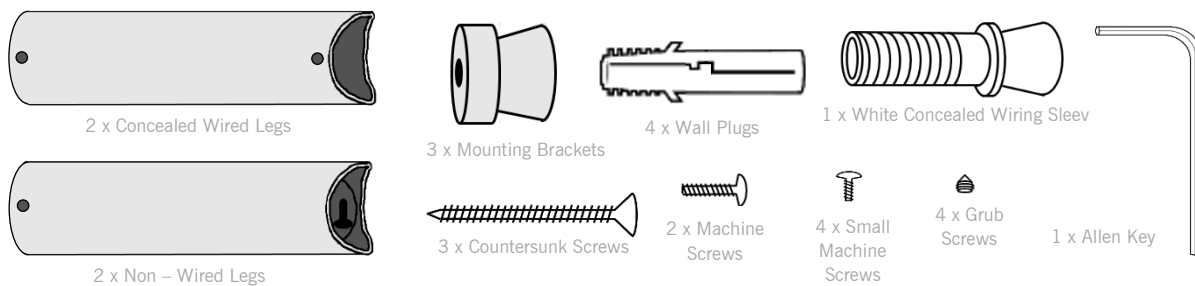
Concealed Wiring Installation



The Thermorail models in this guide can be installed with either concealed or exposed wiring, with the electrical supply connected at the bottom or top, left or right hand mounting point. This section concentrates on the concealed wiring method. For exposed wiring see page 6.

1. Collect the parts you need

Ensure that you have all the correct parts needed for concealed wiring installation of this towel rail. Pictured below are the parts and quantities needed. The remaining parts are only used for exposed wiring installations so can be disposed of.



2. Fix the Legs to the Thermorail

First, decide which side you want to connect the electrical supply to and then allocate the appropriate legs to each of the three remaining mounting points. Remove the mounting brackets from inside the legs by releasing the grub screws with the allen key provided. Attach the two non-wired legs to the rail using the machine screws and a cross head screw driver. Attach the third leg to the non-wired point at the bottom of the rail using two of the small machine screws and a cross head screwdriver.

Concealed Wiring Installation

3. Plan and Measure Your Installation

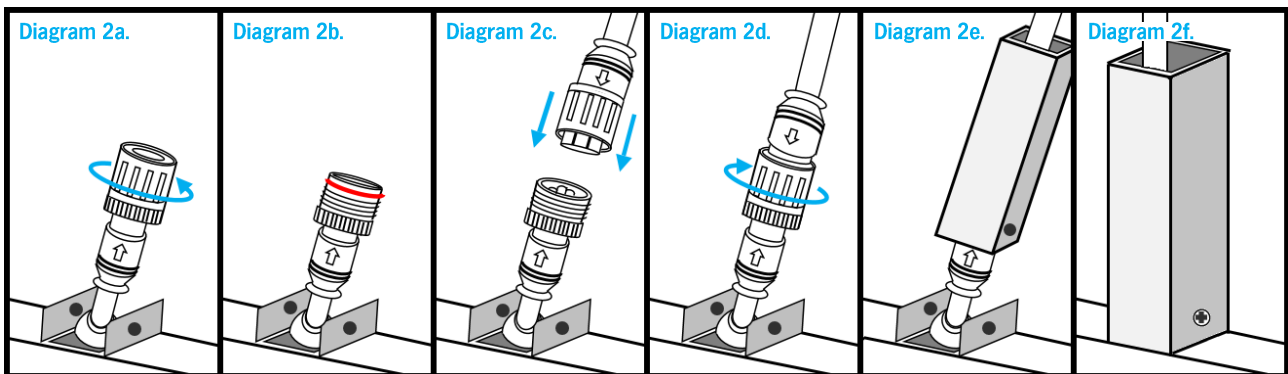
Measure and mark out the four wall bracket positions making sure they are level. The easiest way to mark this is to put some masking tape or similar at the location of the four mounting positions and then hold the rail against the wall and once it is straight and level mark the four leg footprints on the tape. For safety reasons, we recommend that the heated towel rail is installed at least 600mm above the floor.

4. Install the Wall Brackets

Drill a pilot hole in the centre of each of the three marked mounting positions and insert the wall plugs provided. Now fix the three wall brackets in place using the countersunk screws and a cross head screwdriver. In the fourth position drill a larger hole (12mm) for the electrical cable.

5. Connect Mains Power & Wall Bracket

Remove the 3 pin plug from the end of the lead. Connect the lead to the rail at your chosen position by unscrewing the screw cap (See Diagram 2a.), pulling out the cap, lifting from the red ring (See Diagram 2b.) inserting the lead into the connection point ensuring that the pins match up correctly using the arrows marked (See Diagram 2c.) and tighten the screw cap (See Diagram 2d.). Slide the concealed wiring leg over the electrical cable (See Diagram 2e.) and fix in place using the small machine screws and a cross head screw driver (See Diagram 2f.).



Test A: Ensure your connection is pushed in fully and screw cap is screwed on tightly with the arrows matching up. Once checked tick this on page 11.

6. Connect to Main Supply

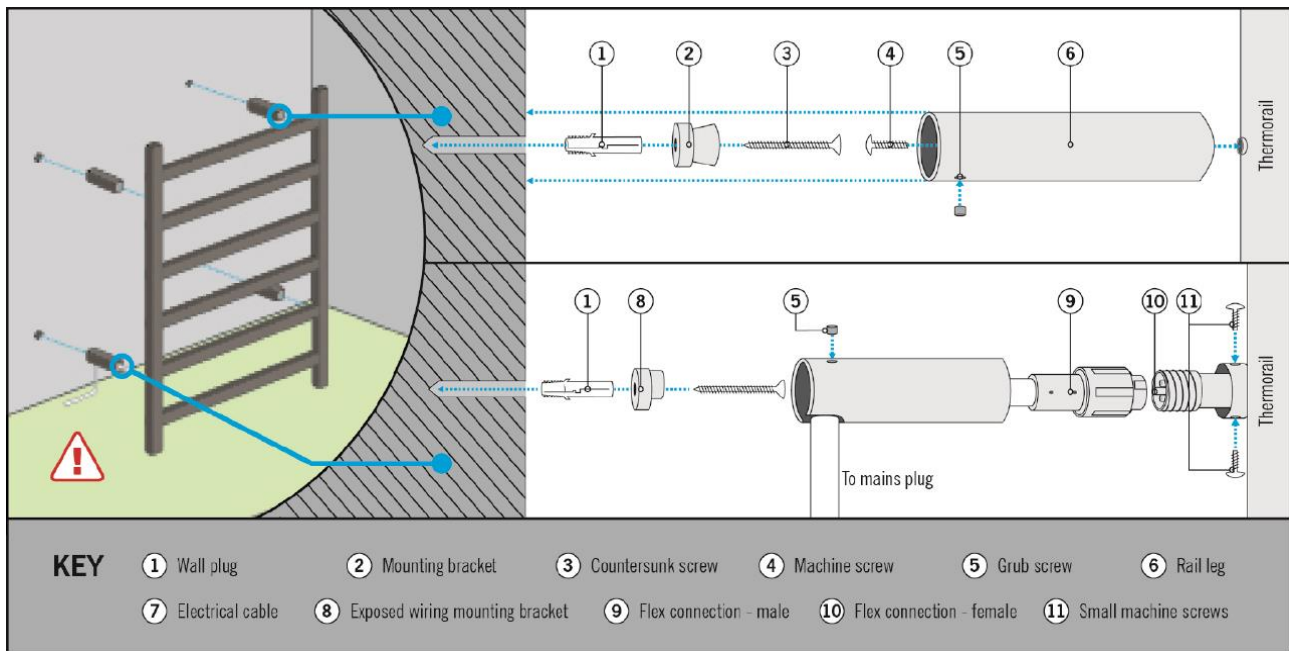
Ensure the mains power supply is switched off before attempting to carry out any electrical work. Slide the concealed wiring sleeve over the exposed end of the mains cable and insert into the hole in the wall. Connect to the mains supply in accordance with current electrical regulations.

Test B: Ensure you have 240Volt power at the connection point between your Thermorail Heated Towel Rail and the mains supply. Once checked tick this on page 11.

7. Fix Thermorail to the Wall

Fit the Thermorail to the mounting brackets installed on the wall. You may need assistance to hold the rail in place. Tighten using the grub screws with the allen key provided.

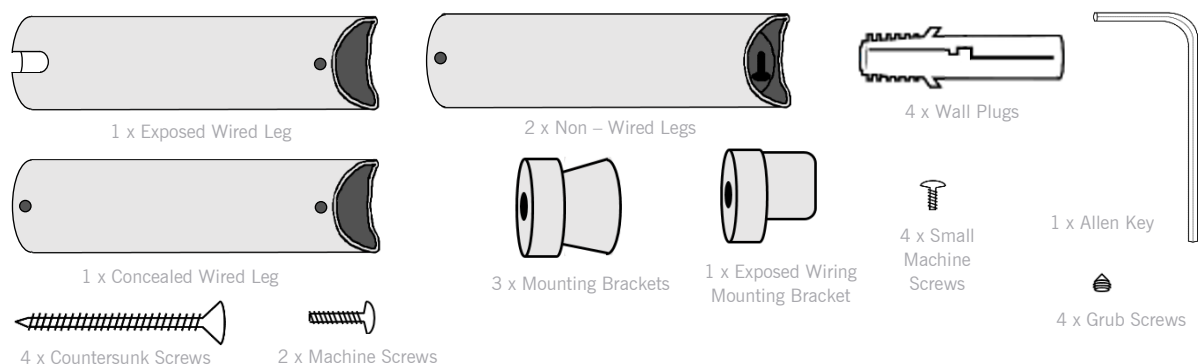
Exposed Wiring Installation Guide



The Thermorail models in this guide can be installed with either concealed or exposed wiring, with the electrical supply connected at the bottom or top, left or right hand mounting point. This section concentrates on the exposed wiring method. For concealed wiring see page 4.

1. Collect the parts you need

Ensure that you have all the correct parts needed for exposed wiring installation of this towel rail. Pictured below are the parts and quantities needed. The remaining parts are only used for concealed wiring installations so can be disposed of.



2. Fix the Legs to the Thermorail

First, decide which side you want to connect the electrical supply to and then allocate the appropriate legs to each of the three remaining mounting points. Remove the mounting brackets from inside the legs by releasing the grub screws with the allen key provided. Attach the two non-wired legs to the rail using the machine screws and a cross head screw driver. Attach the third leg to the non-wired point at the bottom of the rail using the small machine screws provided.

Exposed Wiring Installation Guide

3. Plan and Measure Your Installation

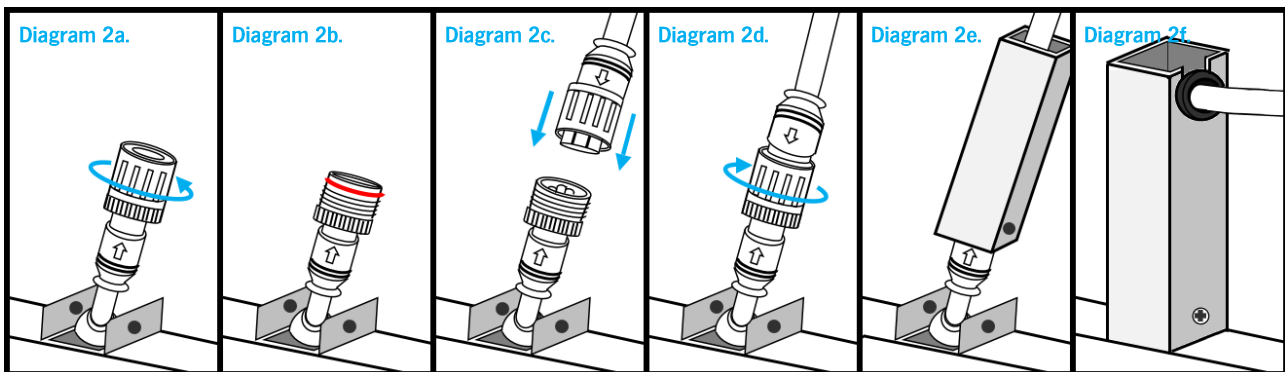
Measure and mark out the four wall bracket positions making sure they are level. The easiest way to mark this is to put some masking tape or similar at the location of the four mounting positions and then hold the rail against the wall and once it is straight and level mark the four leg footprints on the tape. For safety reasons we recommend that the heated towel rail is installed at least 600mm above the floor.

4. Install the Wall Brackets

Drill a pilot hole in the centre of each of the four marked mounting positions and insert the wall plugs provided. Now fix the three wall brackets in place using the countersunk screws and a cross head screwdriver. In the fourth position attach the exposed wiring mounting bracket using a countersunk screw.

5. Connect Power Lead & Wall Bracket

Slide the exposed wiring leg over the lead ensuring the cut away section is facing towards the 3 pin plug. Connect the lead to the rail at your chosen position by unscrewing the screw cap (See Diagram 2a.), pulling out the cap, lifting from the red ring (See Diagram 2b.) inserting the lead into the connection point ensuring that the pins match up correctly using the arrows marked, (See Diagram 2c.) and then tighten the screw cap (See Diagram 2d.). Slide the exposed wiring leg down towards the Thermorail (See Diagram 2e.) and fix in place using the small machine screws and a cross head screw driver (See Diagram 2f.).



Test A: Ensure your connection is pushed in fully and screw cap is screwed on tightly with the arrows matching up. Once checked, tick this on page 11.

6. Fix Thermorail to the Wall

Fit the Thermorail to the mounting brackets installed on the wall. You may need assistance to hold the rail in place. For the three non-wired mounts, tighten using the grub screws and the allen key provided. In the wired position, secure using a small machine screw and a cross head screw driver.

Test B: Ensure you have 240Volt power at the power point (GPO) to which the Thermorail is being plugged into. Once checked tick this on page 11.

Technical Specifications

CODE	NO. OF BARS	SIZE (MM)	OUTPUT WATTAGE	IP RATING
BS44MW	7	W600 x H800 x D122	80	IP55
SR44MRG	7	W600 x H800 x D122	90	IP55
SR44MGM	7	W600 x H800 x D122	90	IP55
CR44GM	7	W600 x H800 x D155	90	IP55

Supply Voltage	240V 50Hz
Wiring Side	Left or Right
Wiring Method	Hardwired or Plug-in
Warranty	7yrs

Safety Information

Thermorail Heated Towel Rails should be installed and tested by a qualified electrician and in accordance with current local regulations. We recommend that the rail is installed onto a flat uniform wall at least 600mm from the floor and with a 300mm clearance from permanent fixture. Where possible the Thermorail Heated Towel Rail should be screwed into studs or if fixing to hollow walls suitable anchors should be used to ensure rail is secure.

Please read and understand this installation guide in full before commencing installation. If you have any queries in regards to installation, please call 1300 368 631.

- Observe and adhere to electrical guidelines and IP ratings when placing your Thermorail in wet areas
- Ensure any timers or switches used are installed in correct zones according to the IP rating of the timer/switch
- Ensure that your Thermorail is protected by a suitably rated RCD circuit
- Do not use the towel rail to hold towels or other articles that have been in contact with oil, petroleum based products or dry cleaning fluids
- This appliance is intended to warm and dry towels and therefore is hot to touch. When near young children or infirm persons, close supervision is necessary.
- Do not immerse your Thermorail in any liquid

Care Information

The Stainless Steel finish of your Thermorail Heated Towel Rail is hard wearing and easy to maintain. However any harsh scrubbing, scratching or acid based cleaning products will damage the surface of your towel rail. Cleaning with a soft cloth and a non-abrasive cleaning agent will give the best results.

Warranty Information

Thermogroup covers all its products with a satisfaction guarantee. In addition, Thermogroup will supply a replacement product where a fault is shown to be caused by manufacture, materials or workmanship providing the goods have been installed correctly and according to installation instructions. This guarantee does not include removal, freight or installation costs. Thermogroup's products come with guarantees that cannot be excluded under Australian Consumer Law and you are entitled to a replacement or refund for a major failure & compensation for any other reasonable foreseeable loss or damage. You are also entitled to have the goods repaired or replaced if the goods fail to be of acceptable quality and the failure does not amount to a major failure.

All of the Thermorail Heated Towel Rails – Coloured Range have a 7 year warranty. To use the warranty, repair or service the customer must provide purchase invoice/receipt, and completed warranty registration form.

If the product develops a fault within the warranty period due to normal wear and tear, Thermogroup at its discretion will recognise whether it's a faulty product or not. If it is impossible or not economical for the manufacturer to repair the product, the manufacturer will replace the faulty product with a new unit of the same model or if there is no stock available of the same model as the product, the manufacturer will replace the product with a new unit of a similar size. No responsibility can be taken for altered dimensions and lining up of existing holes.

The repair service offered within the warranty period only covers the faults and problems as developed from the manufacturer's errors. Any damage caused by improper use or carelessness or incorrect wiring is not covered.

Thermogroup is not responsible for any monetary loss or injuries caused by improper use of this product.

Warranty Registration

The Thermorail Heated Towel Rail warranty against manufactures defects is a limited liability warranty and will only apply if the product is registered online. Online registration must be completed within 60days of installation. Failure to complete this form will void the warranty.

THERMORAIL STOCK NO.	ISOLATING SWITCH/TIMER INSTALLED	TIMER STOCK NO.	WIRING METHOD	TEST A Connection in Rail Leg See Page 5 & 7	TEST B 240Volt Power at Connection See Page 5 & 7
0 <i>SRB4HM (Example)</i>	<u>Timer</u> / Isolating Switch / None	<i>TRTS</i>	<u>Exposed</u> / Concealed	✓	✓
1	Timer / Isolating Switch / None		Exposed / Concealed		
2	Timer / Isolating Switch / None		Exposed / Concealed		
3	Timer / Isolating Switch / None		Exposed / Concealed		
4	Timer / Isolating Switch / None		Exposed / Concealed		
5	Timer / Isolating Switch / None		Exposed / Concealed		
6	Timer / Isolating Switch / None		Exposed / Concealed		
7	Timer / Isolating Switch / None		Exposed / Concealed		
8	Timer / Isolating Switch / None		Exposed / Concealed		
9	Timer / Isolating Switch / None		Exposed / Concealed		
10	Timer / Isolating Switch / None		Exposed / Concealed		

Fill out and sign below to declare that all the information recorded on this form correlates to the installation

Installer

Name: _____

Email: _____

Address: _____

Postcode: _____

Phone: _____

Signature: _____

Customer

Name: _____

Email: _____

Address: _____

Postcode: _____

Phone: _____

Signature: _____

International contact details

AU Enquiries

Thermogroup AU
sales@thermogroup.com.au
www.thermogroup.com.au
1300 368 631

UK Enquiries

Thermogroup UK
sales@thermogroupuk.com
www.thermogroupuk.com
0800 019 5899

EU Enquiries

Thermogroup EU
sales@thermogroupeu.com
www.thermogroupeu.com
00353 (0)1 866 0584

