

Thermorail Single Rail

Non-Heated Towel Rail

Installation Guide

Contents

What's in the box? 3

Installing Thermorail 4

Technical Specifications 5

Safety & Care Information 5

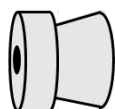
Warranty Information 6

Contact Us 7

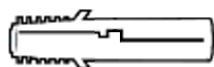
What's in the box?

Check you've got everything:

- Thermorail Single Bar Rail
- Screw Kit including:
 - 2 x Mounting Brackets (Supplied inside rail)
 - 2 x Wall Plugs
 - 2 x Countersunk Screws
 - 2 x Grub Screws (Supplied inside bar)
 - 1 x Allen Key



Mounting Bracket



Wall Plug



Countersunk Screw



Grub Screw



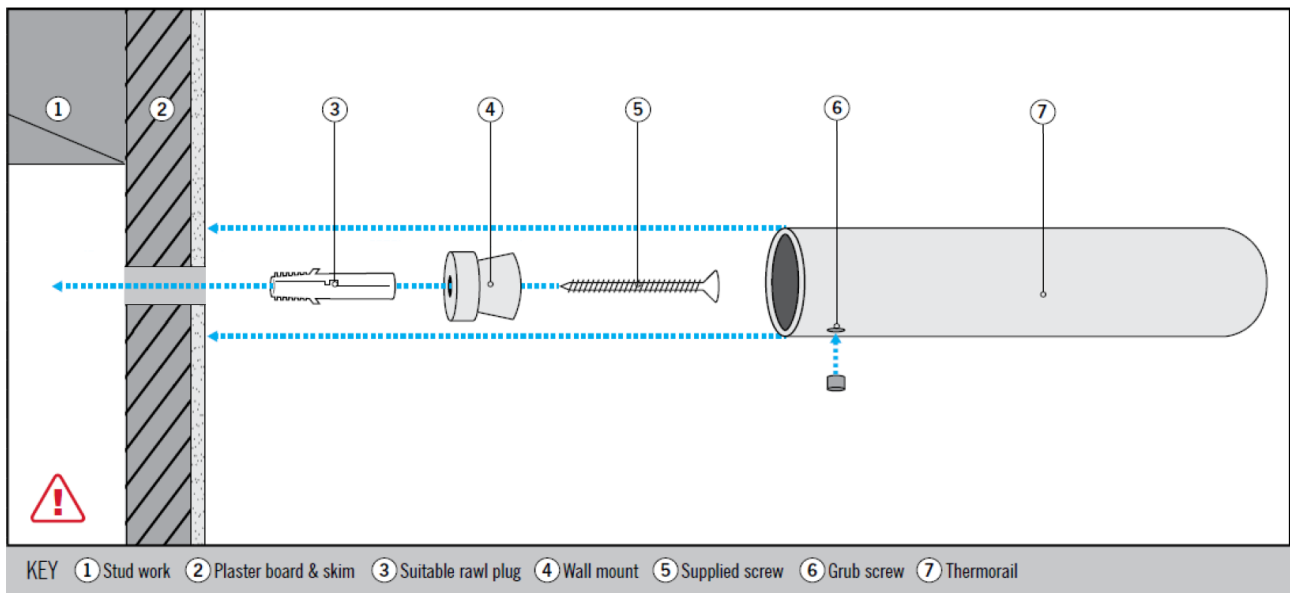
Allen Key

Please note these parts are not to scale

You will also need:

- Cross Head Screwdriver
- Pencil
- Spirit Level
- Tape Measure
- 6mm Drill Bit
- Cordless drill

Installing Thermorail



1. Install two wall brackets

First decide where you want your towel rail(s) installed and measure and mark out the bracket positions making sure they are level. Drill one 6mm hole for each of the two wall brackets. Insert suitable rawl plugs. Now fix the two wall brackets in place using a screwdriver and supplied screws.

2. Fix Thermorail to the Wall

Fit the Thermorail to the mounting brackets installed on the wall. You may need assistance to hold the rail in place. Tighten the grub screws on the two wall mount arms using the allen key provided.

Technical Specifications, Safety & Care Information

CODE	NO. OF BARS	SIZE (MM)	WARRANTY (YRS)
USS4	1	W450 x H40 x D100	10
USS6	1	W632 x H40 x D100	10
USS8	1	W832 x H40 x D100	10
USS6B	1	W632 x H40 x D100	7
USS6BR	1	W632 x H40 x D100	7
USS6W	1	W632x H40 x D100	7
USR6	1	W632 x H32 x D100	10
USR6B	1	W632 x H32 x D100	7
USC6	1	W640 x H40 x D100	10
UCF7	1	W700 x H40 x D100	10
UCF7	1	W700 x H40 x D100	10

Safety Information

We recommend that the rail is installed onto a flat uniform wall, with the bottom bar at least 600mm from the floor, with a 300mm clearance from permanent fixtures. Recommended spacing between single bar rails is 200mm. Where possible the Thermorail Heated Towel Rail should be screwed into studs or other suitable dry all anchors, if fixing to hollow walls suitable anchors should be used.

Please read and understand this installation guide in full before commencing installation. If you have any queries in regards to installation, please call 1300 368 631.

Care Information

The Stainless Steel finish of your Thermorail Heated Towel Rail is hard wearing and easy to maintain. However any harsh scrubbing, scratching or acid based cleaning products will damage the surface of your towel rail. Cleaning with a soft cloth and a non-abrasive cleaning agent will give the best results.

Warranty Information

Thermogroup covers all its products with a satisfaction guarantee. In addition, Thermogroup will supply a replacement product where a fault is shown to be caused by manufacture, materials or workmanship providing the goods have been installed correctly and according to installation instructions. This guarantee does not include removal, freight or installation costs. Thermogroup's products come with guarantees that cannot be excluded under Australian Consumer Law and you are entitled to a replacement or refund for a major failure & compensation for any other reasonable foreseeable loss or damage. You are also entitled to have the goods repaired or replaced if the goods fail to be of acceptable quality and the failure does not amount to a major failure.

The details on the length of the warranty on the Thermorail single bars are on page 5 of this instruction guide. To use the warranty, repair or service the customer must provide purchase invoice/receipt and completed warranty registration form.

If the product develops a fault within the warranty period due to normal wear and tear, Thermogroup at its discretion will recognise whether it's a faulty product or not. If it is impossible or not economical for the manufacturer to repair the product, the manufacturer will replace the faulty product with a new unit of the same model, or if there is no stock available of the same model as the product, the manufacturer will replace the product with a new unit of a similar size. No responsibility can be taken for altered dimensions and lining up of existing holes.

The repair service offered within the warranty period only covers the faults and problems as developed from the manufacturer's errors. Any damage caused by improper use or carelessness or incorrect wiring is not covered.

Thermogroup is not responsible for any monetary loss or injuries caused by improper use of this product.

The Thermorail Heated Towel Rail warranty against manufactures defects is a limited liability warranty and will only apply if the product is registered online. Online registration must be completed within 60 days of installation. Failure to complete this form will void the warranty.

International contact details

AU Enquiries

Thermogroup AU
sales@thermogroup.com.au
www.thermogroup.com.au
1300 368 631

UK Enquiries

Thermogroup UK
sales@thermogroupuk.com
www.thermogroupuk.com
0800 019 5899

EU Enquiries

Thermogroup EU
sales@thermogroupeu.com
www.thermogroupeu.com
00353 (0)1 866 0584

Thermogroup



That little bit extra...