

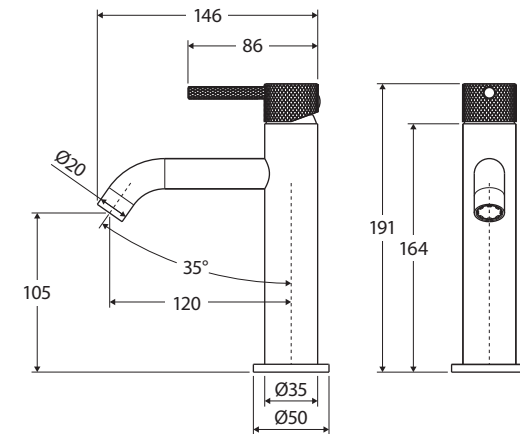
Axle®

BASIN MIXER

Features

- Industrial cross-hatched handle accent
- Curved outlet
- Made from solid brass
- High quality European cartridge (25 mm)
- PEX split-resistant flexible hoses
- **WELS 5 Star rated, 5L/min**

Please note: This product may have a visible Fienza or Watermark logo.



Available in



Polished
Chrome
231103



PVD
Brushed Nickel
231103BN



PVD
Gun Metal
231103GM



Electroplated
Matte Black
231103B



PVD
Urban Brass
231103UB

Cleaning & Care

- Regularly clean with mild soapy water using a microfibre cloth.
- In highly polluted or coastal locations, we recommend cleaning 2-3 times per week.
- Do not use harsh detergents, bleach, cream cleaners or citrus based cleaners. These substances are abrasive and will damage the surface.
- Do not use undue pressure and wipe in one direction only.



While we aim to ensure specifications are correct at the time of publication, Fienza reserves the right to make modifications without prior notice. Physical colour may vary from image shown. All measurements are shown in millimetres. Always use physical product measurements for mark-ups and roughing-in as the technical drawing may differ from actual product received.