

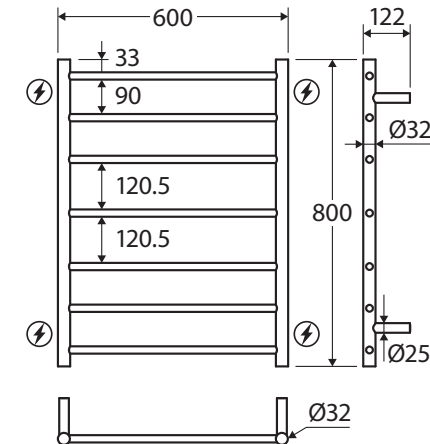
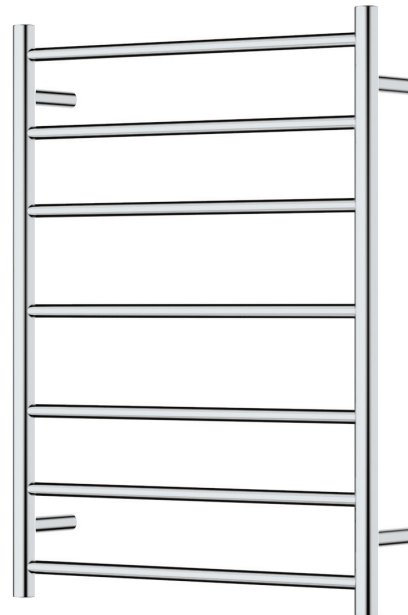
# Isabella

## HEATED TOWEL RAIL, 600 x 800 MM

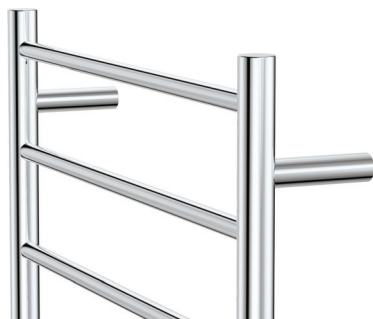
### Features

- Designed for use in bathrooms
- Heat transfer dries towels faster and more evenly keeping them fresh
- 7 bar ladder rails
- Concealed (hard-wired) or exposed (plug-in) installation
- Wiring position available at any of the 4 mounting points
- Includes 1.5 metre white power cord
- Surface temperature between 45°C and 50°C
- Made from 304 stainless steel

230V | 85W | IP55 RATING  
SAA Approved



⚡ Wiring Positions



### Available in



Chrome  
**8276080**



PVD Brushed Nickel  
**8276080BN**



Powder Coated  
Matte Black  
**8276080MB**



PVD Urban Brass  
**8276080UB**

### Cleaning & Care

- Regularly clean with mild soapy water using a microfibre cloth.
- In highly polluted or coastal locations, we recommend cleaning 2-3 times per week.
- Do not use harsh detergents, bleach, cream cleaners or citrus based cleaners. These substances are abrasive and will damage the surface.
- Do not use undue pressure and wipe in one direction only

While we aim to ensure specifications are correct at the time of publication, Fienza reserves the right to make modifications without prior notice. Physical colour may vary from image shown. All measurements are shown in millimetres. Always use physical product measurements for mark-ups and roughing-in as the technical drawing may differ from actual product received.