

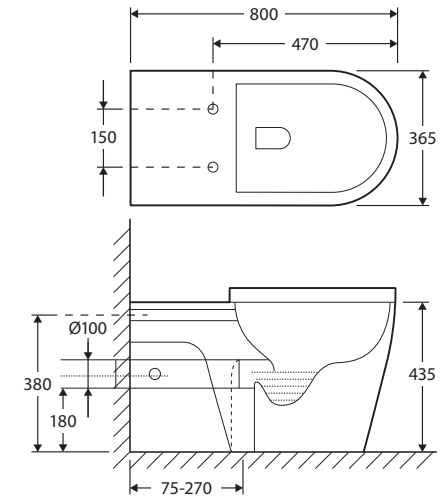
Isabella Care

WALL-FACED TOILET SUITE

Features

- Can be installed for AS1428.1 Accessible compliance
- Rimless hygienic flush
- Gloss white finish on pan
- Concealed design for easy cleaning
- Single flap gloss grey or gloss blue seat
- Available as P-Trap or S-Trap
- **WELS 4 Star rated, 4.4L/3L (3.3L average flush) when used with a R&T cistern**

Please note: Cistern and flush buttons required (sold separately)



Available in



P-Trap Pan
& Grey Seat
K016G-PS



S-Trap Pan
& Grey Seat
K016GA-PS



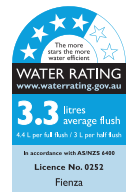
P-Trap Pan
& Blue Seat
K016-PS



S-Trap Pan
& Blue Seat
K016A-PS

Cleaning & Care

- Clean only with a soft cloth or sponge using warm water and mild soap or detergent. Do not use any abrasive cleaning materials.
- Do not use any solvents or corrosive liquids.
- Note that use of clip-on deodorisers will affect flushing performance on rimless suites.



While we aim to ensure specifications are correct at the time of publication, Fienza reserves the right to make modifications without prior notice. Physical colour may vary from image shown. All measurements are shown in millimetres. For ceramic products, please allow +/- 10 mm tolerance for manufacturing variance. Always use physical product measurements for mark-ups and roughing-in as the technical drawing may differ from actual product received.