

Isabella WALL-HUNG URINAL

K3040

- Wall-hung, back inlet
- Gloss white vitreous china bowl
- Gloss white vitreous china waste cover
- Chrome spreader and mounting brackets included
- **WELS 3 Star rated, 1.7L per flush per stall**

Requires suitable flushing system (available separately).

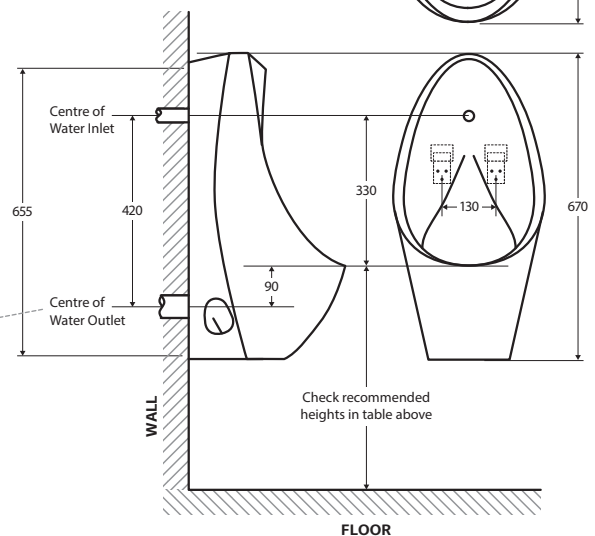
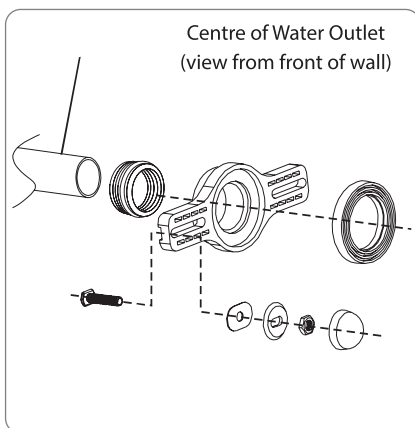
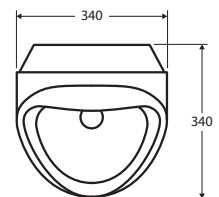


CHECK GOODS THOROUGHLY BEFORE INSTALLATION

Installation of received goods that are damaged, warped or faulty will void warranty. Ensure all items meet your plumbing requirements.



Recommended heights (see drawing below)	
Standard / Adult	610 mm
Junior	500 mm
Persons with Disability	400 mm



All installations should be carried out by a qualified tradesman in compliance with the National Plumbing & Drainage Code and any State or Local Authority Regulations, in accordance with AS/NZS 3500 series of standards and AS/NZA 6400. All measurements are in millimetres and are subject to change without notice. For ceramic products, please allow +/- 10 mm tolerance for manufacturing variance. Please refer to fienza.com.au for the latest product specification.

Bracket Installation

Select the relevant bracket based on your access to pipework.

No Rear Access to Pipework Use L-shaped support bracket	Rear Access to Pipework (Service Duct) Use Z-shaped support bracket
	

Installation Notes

Wall Fixing

The urinal is mounted to the wall with one of the concealed support brackets above. Note: Bracket screws are not included.

Spreader

No rear access to pipework: Spreader must screw into fixed water point (angle wall connection to match sloping front of urinal).

Rear access to pipework: Fix spreader to urinal with thread and back nut (not supplied).

Inlet

Standard 1/2" BSP female back inlet for concealed pipes. 1/2" thread will be required to connect spreader.

Outlet

One rubber connection seal, one ceramic seal, and one kee seal are supplied for push-fit with 50 mm O.D. brass tube and 50 mm DWV plastic pipe.

Warranties

TOILETS & URINALS* *Excludes parts subject to wear and tear such as rubber seals. Labour is not included unless otherwise specified.		
Range	Residential	Commercial
Vitreous China	5 years replacement parts or product, 1 year labour	3 years replacement parts or product, 1 year labour
Accessories & Spare Parts	1 year replacement parts or product	1 year replacement parts or product

For warranty support, please contact Fienza

fienza®

2 Bailey Court, Brendale QLD 4500

PO Box 5381, Brendale QLD 4500

P 07 3490 6700 F 07 3490 6719

E help@fienza.com.au ABN 76 136 411 311

Cleaning & Care

- Clean only with a soft cloth or sponge using warm water and mild soap or detergent. Do not use any abrasive cleaning materials.
- Do not use any solvents or corrosive liquids.

All installations should be carried out by a qualified tradesman in compliance with the National Plumbing & Drainage Code and any State or Local Authority Regulations, in accordance with AS/NZS 3500 series of standards and AS/NZA 6400. All measurements are in millimetres and are subject to change without notice. For ceramic products, please allow +/- 10 mm tolerance for manufacturing variance. Please refer to fienza.com.au for the latest product specification.