

## STELLA

### Adjustable Link Suite

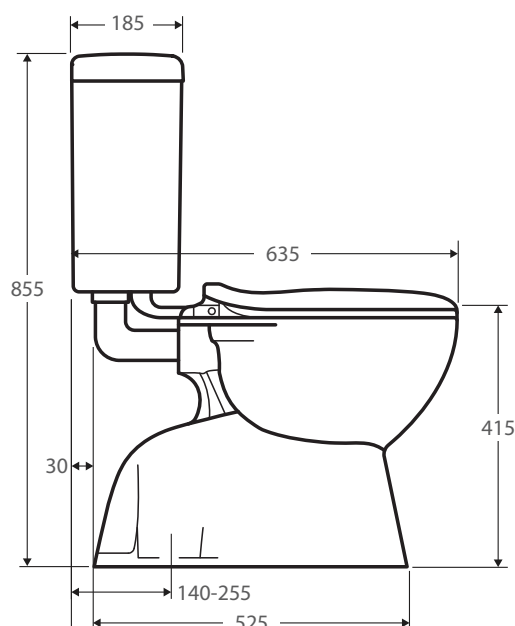
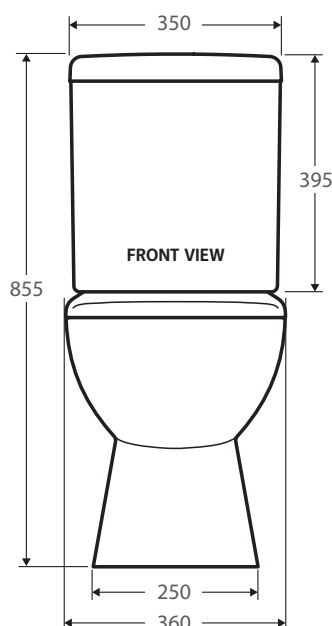
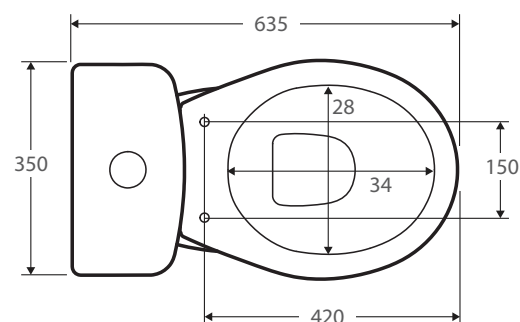
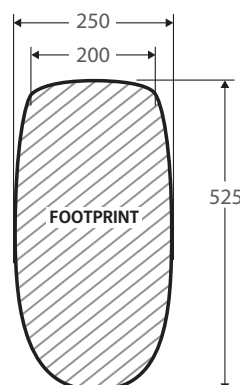
- Boxed rim pan
- Adjustable link toilet suite
- Multi-fit seat and link
- Dual left or right bottom inlet
- High quality R&T flush valves
- Concealed S-trap pan 140-255



COMPLETE SET	CODE
Suite with S-Trap 140-255	K001

SPARE PARTS	CODE
Cistern only	K001-C
Seat with link only	K001-SEAT
Pan only S-Trap	K001-P
R&T Bottom Inlet Valve	200-126
R&T Outlet	200-127
Blanks for Cistern	200-125

WARRANTY	PERIOD
Vitreous China	5 years
R&T Valves	3 years
Seat & Lid	1 year



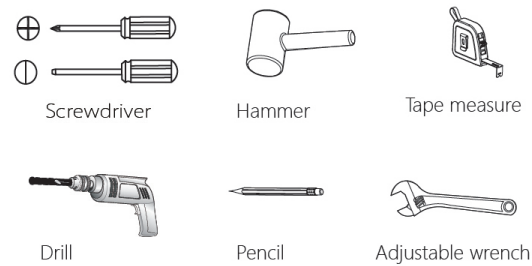
All installations should be carried out by a qualified tradesman in compliance with the national Plumbing & Drainage Code and any State or Local Authority Regulations, in accordance with AS/NZS 3500 series of standards and AS/NZA 6400.

All measurements are in millimetres and subject to change without notice.

## SPARE PARTS



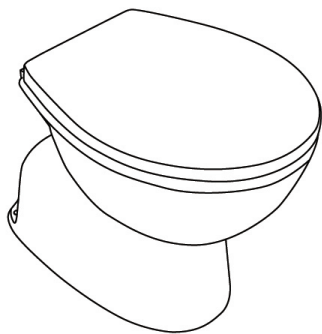
## TOOLS (Not Included)



## NOTICE

1. Make sure the water supply valve is shut off before installation.
2. Remove old bolts, silicon, putty ect from base area.

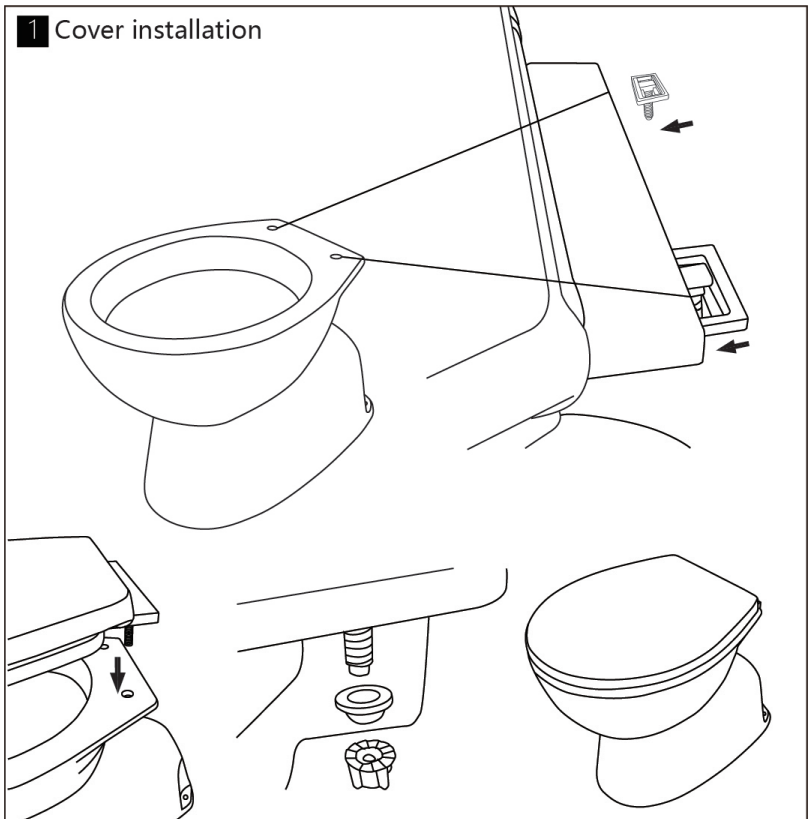
Place the seat cover. Follow the instructions in the seat cover package



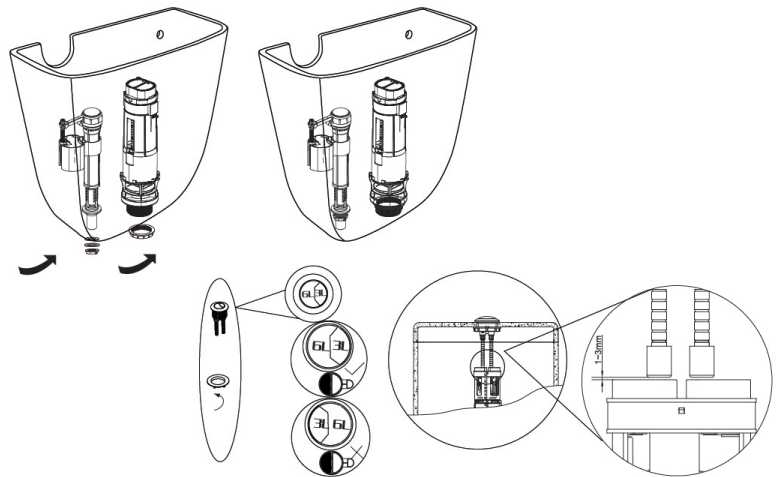
## MAINTENANCE

Use soft moist cloth for cleaning of the toilet, cistern, seat and lid. Do not use abrasives and hard cloth. Regular cleaning with the soap solution is recommended. Do not use strong bleaching agents. In case acid liquids penetrate on the surface remove them immediately with soft cloth.

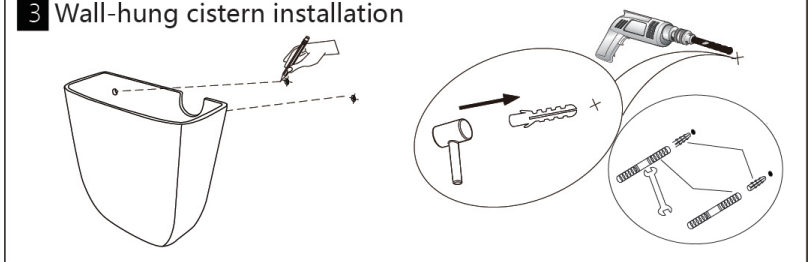
## 1 Cover installation



## 2 Flush accessories installation



## 3 Wall-hung cistern installation

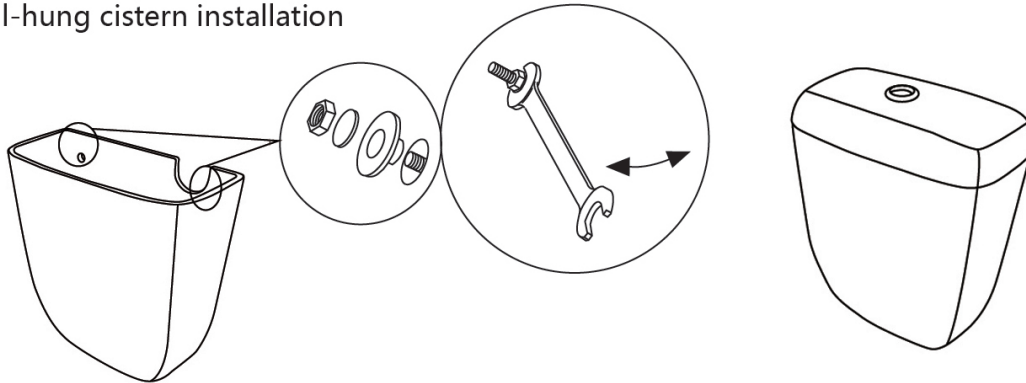


# STELLA

Installation shall be in accordance with AS/NZS 3500 series of standards and AS/NZA 6400

All measurements are in millimetres and subject to change without notice. Effective 1st June 2017.

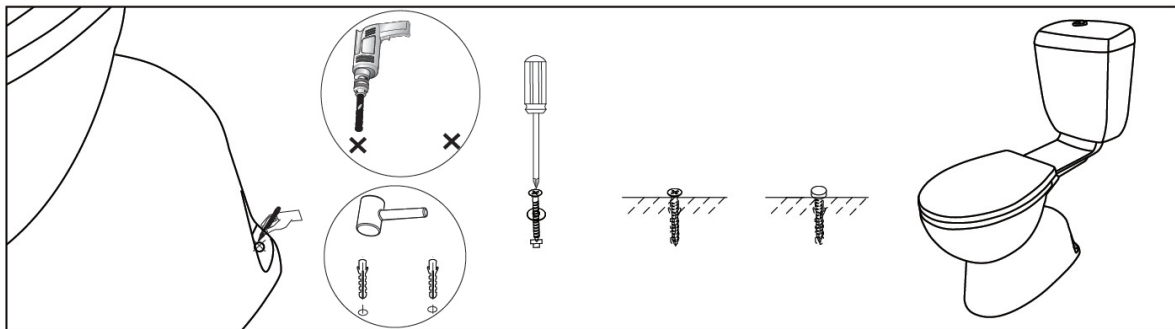
### 3 Wall-hung cistern installation



### 4 Connector and plate installation



### 5 Screw mounting



# STELLA

Installation shall be in accordance with AS/NZS 3500 series of standards and AS/NZA 6400

All measurements are in millimetres and subject to change without notice. Effective 1st June 2017.