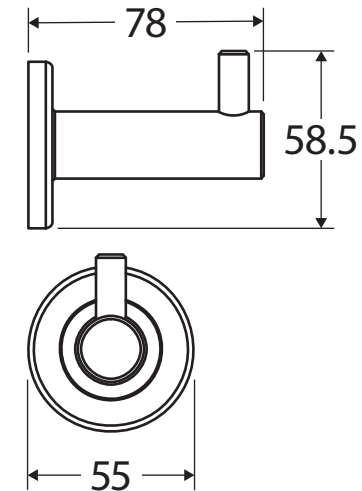
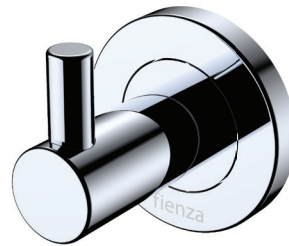


Kaya® ROBE HOOK

Features

- Circular cover plate
- Super strong 4-point wall mount
- Fully concealed fixings
- Made from zinc and stainless steel
- Hex key used in installation

Please Note: These products may have a visible Fienza or Watermark logo.



Available in



Electroplated
Chrome
82804



Electroplated
Matte White
82804MW



Electroplated
Matte Black
82804MB



PVD
Brushed Nickel
82804BN



PVD
Gun Metal
82804GM



PVD
Urban Brass
82804UB

Cleaning & Care

- Regularly clean with mild soapy water using a microfibre cloth.
- In highly polluted or coastal locations, we recommend cleaning 2-3 times per week.
- Do not use harsh detergents, bleach, cream cleaners or citrus based cleaners. These substances are abrasive and will damage the surface.
- Do not use undue pressure and wipe in one direction only

While we aim to ensure specifications are correct at the time of publication, Fienza reserves the right to make modifications without prior notice. Physical colour may vary from image shown. All measurements are shown in millimetres. Always use physical product measurements for mark-ups and roughing-in as the technical drawing may differ from actual product received.