

MS05 WALL SPOUT

meir®



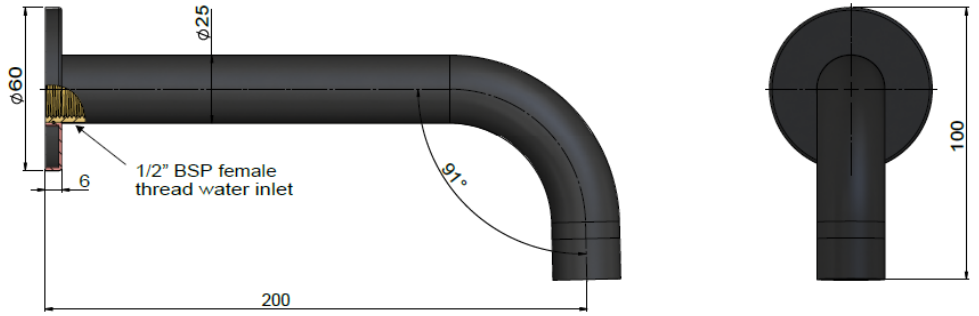
FEATURES

- Refer to the Meir website for warranty terms & conditions, and available finishes.
- Flow rate 5 L/m & 25 L/m at 3 bar pressure.
- European aerators, basin and bath
- Solid brass construction
- Box Weight **0.37 kg**
- 68mm long 1/2" threaded adapter included

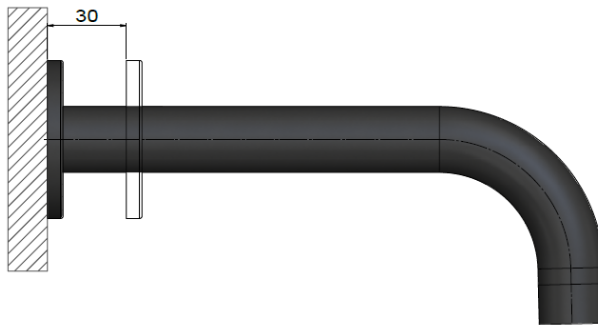
CARE

- Do not install tapware using any form of acetone silicones.
- Do not apply physical items (such as tools) directly to product.
- Never use house-hold or commercial detergents, citrus based cleaners, or abrasive cleaners.
- Clean using a mild washing soap solution rinsed, and dry with a soft cloth.
- Check for any product defects before installation.
- Refer to the installation manual for correct installation.

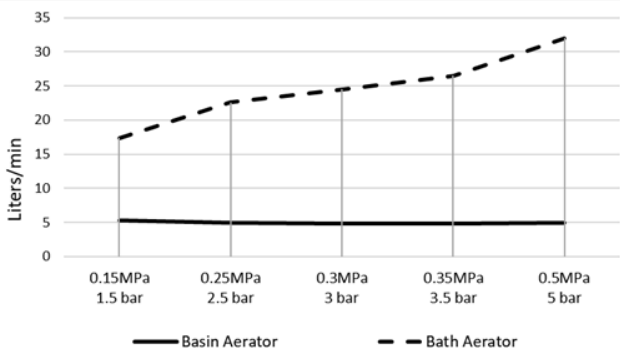
SPECIFICATIONS



TOLERANCE



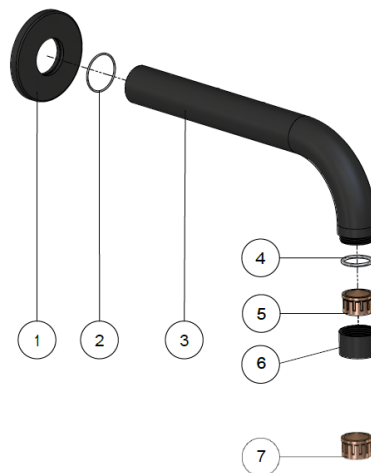
FLOW RATE GRAPH



CREDENTIALS

- Watermark AS/NZS3718WMKA25013
- 5-star WELS rated
- 5.5 litres p/minute
- WELS registration No: T33048

EXPLODED VIEW



NO.	Part
1	Back plate
2	O-ring
3	Basin Spout
4	O-ring
5	Aerator
6	Aerator Case
7	Bath Aerator