

# MW07TS

## DIVERTER MIXER

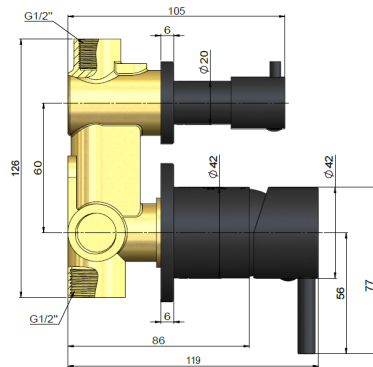
# meir®

### HANDLE VARIANTS

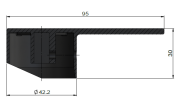


Paddle:MW07TSPD    Paddle:MW07TSPDN

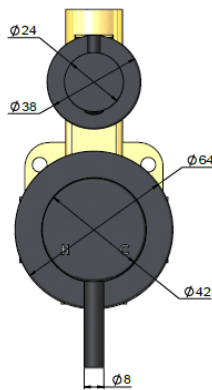
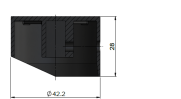
### SPECIFICATIONS



#### PADDLE HANDLE



#### PINLESS HANDLE



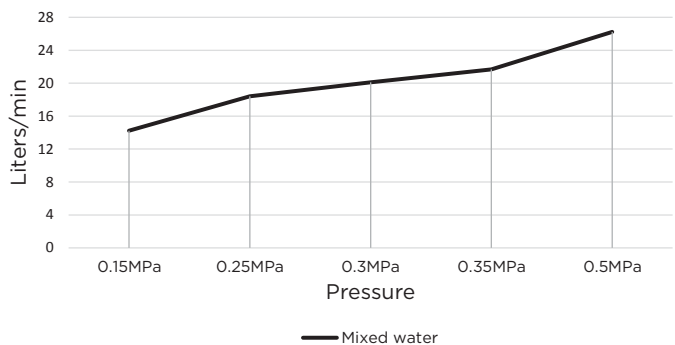
### FEATURES

- Refer to the Meir website for warranty terms & conditions, and available finishes.
- In-built diverter switch
- Flow rate 18L p/m
- European components and cartridge
- Solid brass construction
- Box Weight 1.7Kg

### CARE

- Do not install tapware using any form of acetone silicones.
- Do not apply physical items (such as tools) directly to product.
- Never use house-hold or commercial detergents, citrus based cleaners, or abrasive cleaners.
- Clean using a mild washing soap solution rinsed, and dry with a soft cloth.
- Check for any product defects before installation.
- Refer to the installation manual for correct installation.

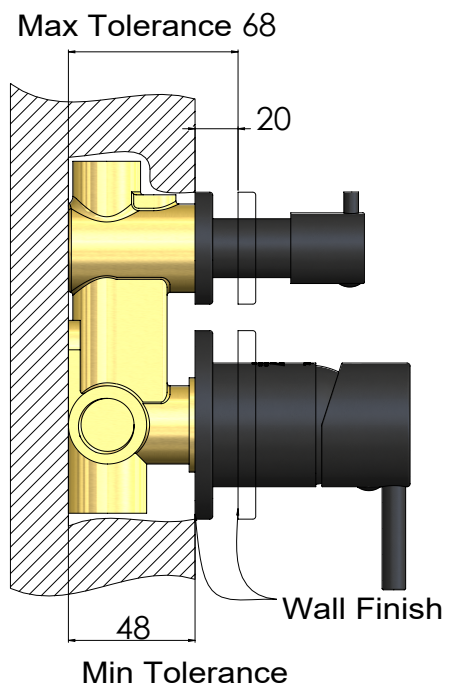
### FLOW RATE GRAPH



### CREDENTIALS

- Watermark AS/NZS 3718 WMKA25013

### TOLERANCES



### EXPLODED VIEW

