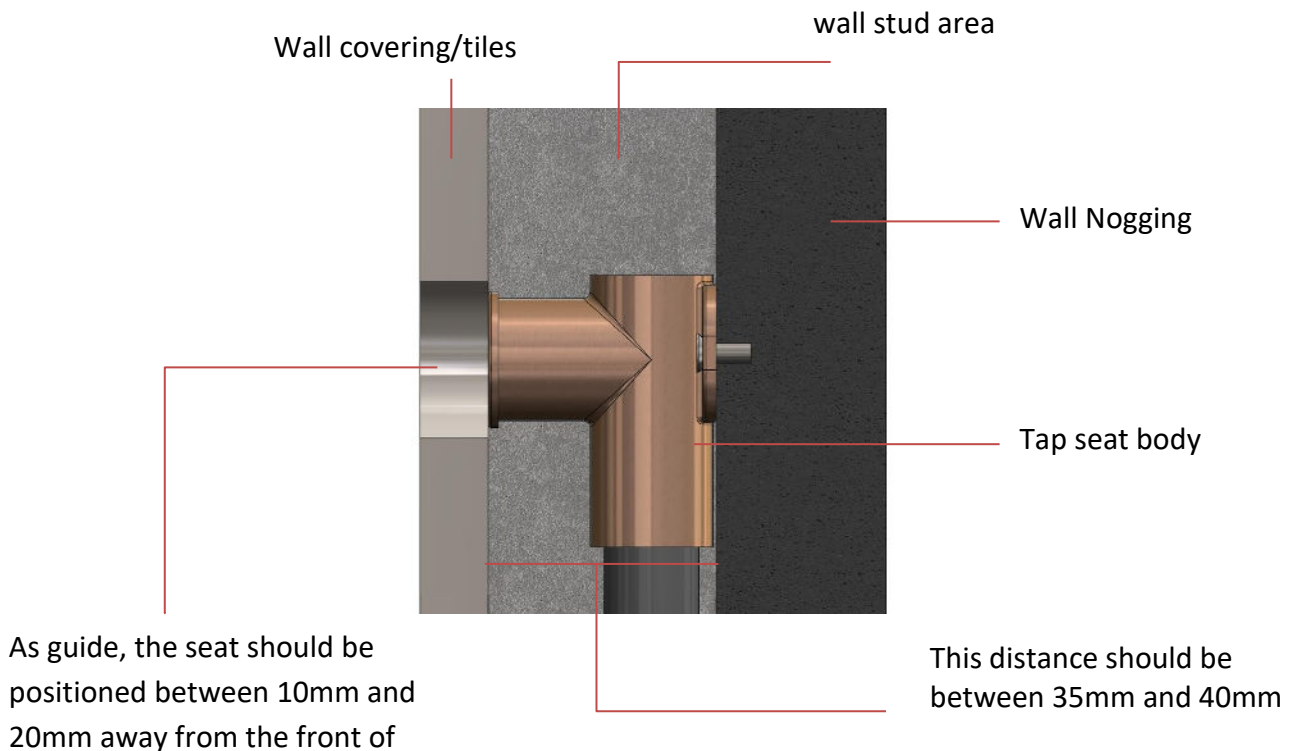


- A licensed tradesperson must conduct installation
- Tap or spindle extensions should not to be used
- Max temperature is 65 degrees Celsius
- Pressure range should be between 150 and 800kPa
- In-wall system (with seat tap) is not supplied  
Non-Australian residents can purchase from: <https://www.meir.com.au/store/brasshards-compression-shower-assembly/>
- Coverings must be calculated before the rough-in stage, to ensure the tapware will fit the thickness of the wall



# Installation Instructions

